

Richard

SOFAS

2016

Antonio Citterio



Description

The Richard seating system stands out for its balanced and contemporary design, evocative of classic atmospheres. Its modularity is reflected by the presence of several elements, all in two depths: one for more formal and contained solutions, and the other for larger, more informal compositions. The system's extreme flexibility and the ease with which the different elements can be assembled together allows the living space to be interpreted in the most varied configurations, from formal to more relaxed, with seats, benches, ottomans and chaise longues. The wide range of covers, in fabric with matching tone-on-tone or contrasting textile profiles, or in leather with profiles in the same material, allows for even greater customisation, offering monochromatic or contrasting solutions. The frame is underscored at the base by a metal profile. Optional cushions in various sizes add to the overall comfort.

Technical information

Innenrahmen

Stahlrohre und -profile

Innenrahmen Füllung

kalt elastischer Polyurethanschaum Bayfit®, Polyesterfaser

Sitzkissen Füllung

geformtes Polyurethan verschiedener Dichten, visco-elastischer Polyurethan, sterilisierte Daunen, Polyesterfaser

Rückenkissen Füllung

Polyesterfaser, geformtes Polyurethan, sterilisierte Daunen

Untere Kante

Aluminiumguss und fließgepresstes Aluminium

Gleiter

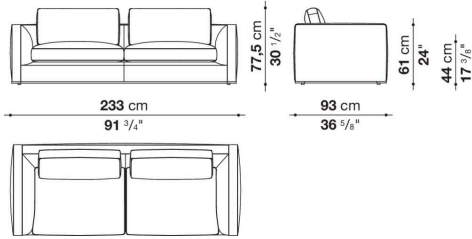
Material thermoplastisch

Bezug

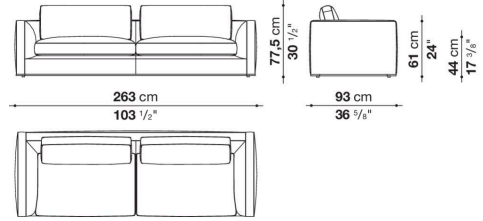
Stoff (Profile aus Stoff Bellano oder Bormio) oder Leder

Technical drawings

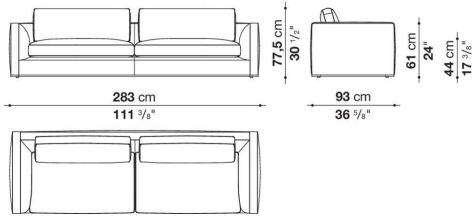
9RA230



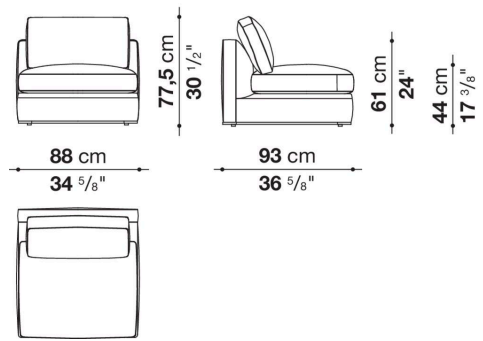
9RA260



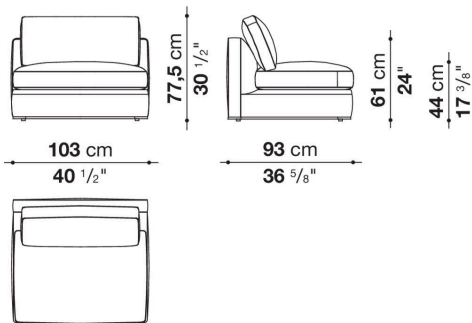
9RA280



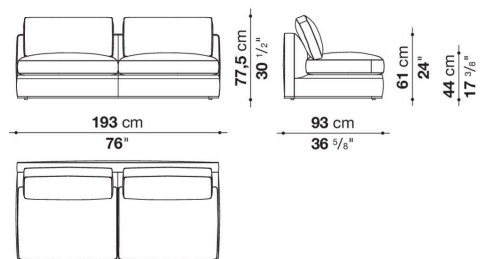
9RA85C



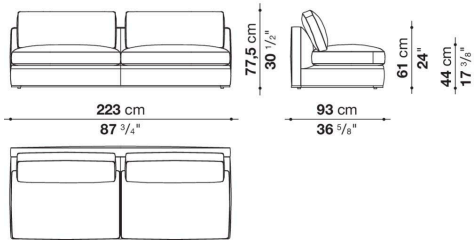
9RA100C



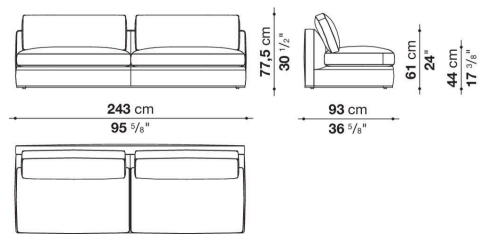
9RA190C



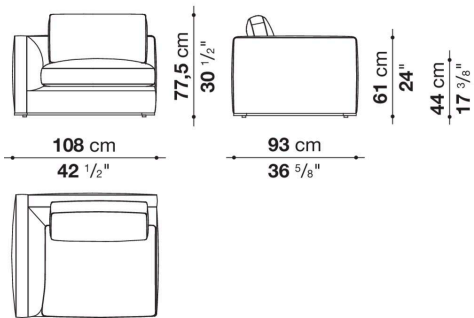
9RA220C



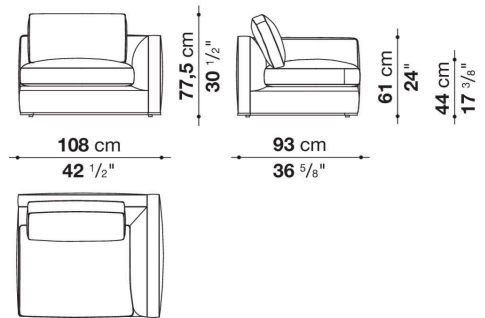
9RA240C



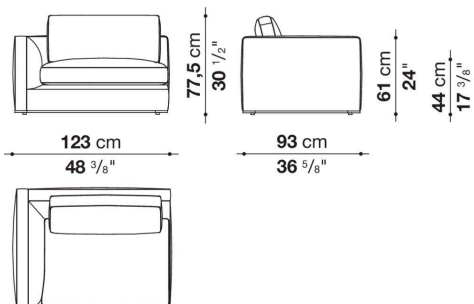
9RA105TS



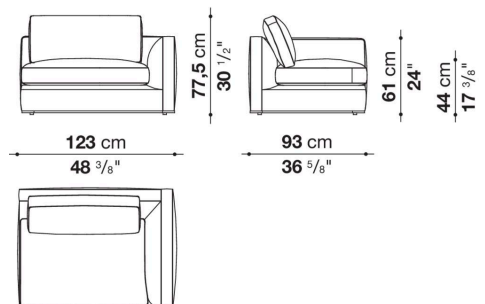
9RA105TD



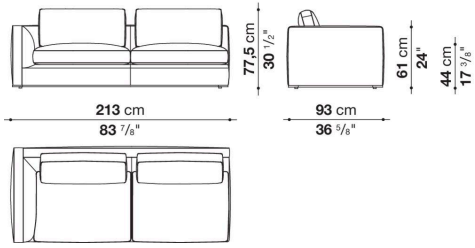
9RA120TS



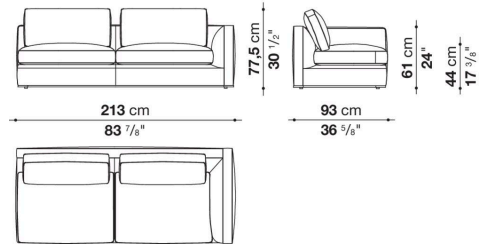
9RA120TD



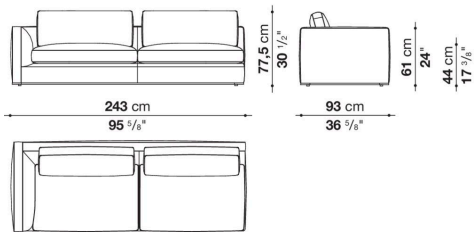
9RA210TS



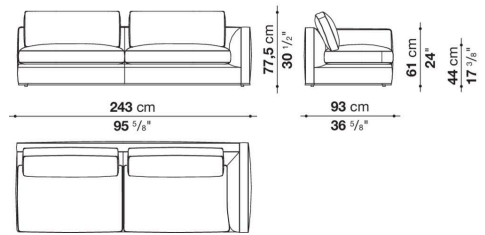
9RA210TD



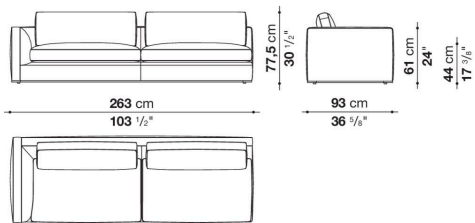
9RA240TS



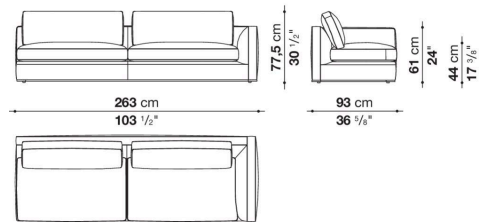
9RA240TD



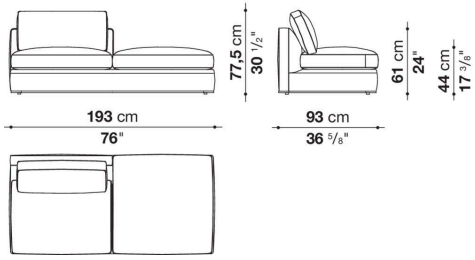
9RA260TS



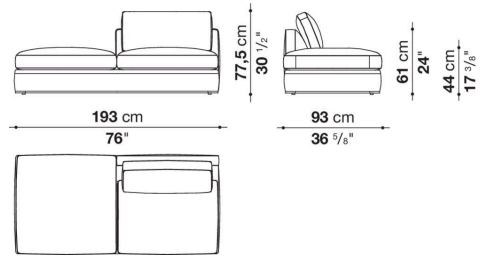
9RA260TD



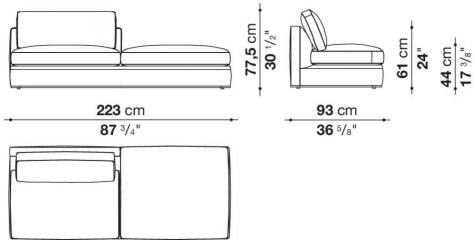
9RA190PS



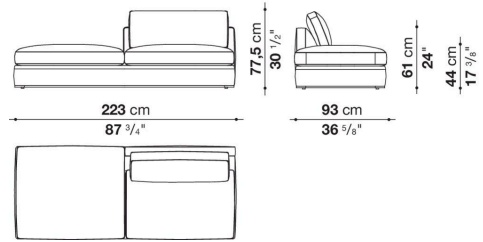
9RA190PD



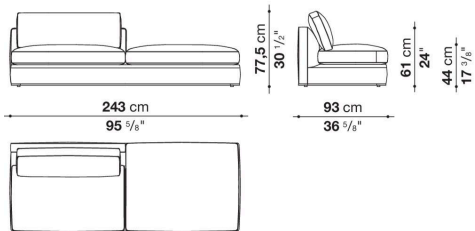
9RA220PS



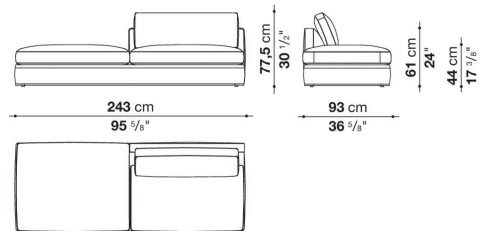
9RA220PD



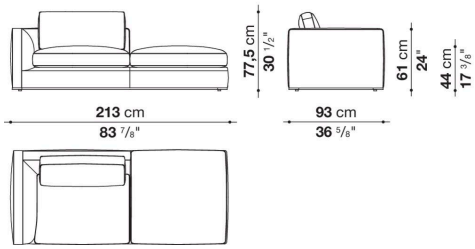
9RA240PS



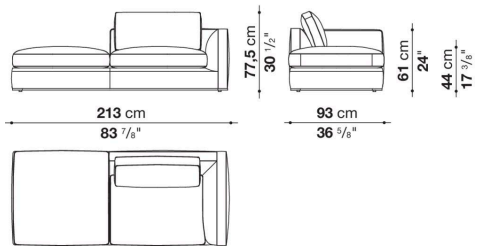
9RA240PD



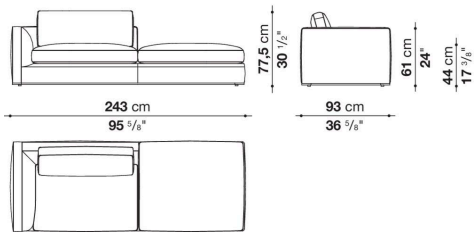
9RA210TPS



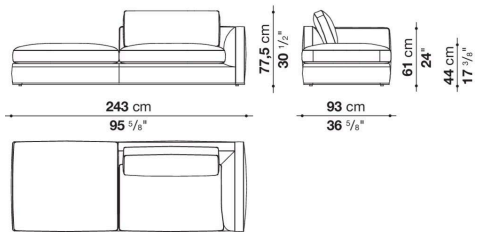
9RA210TPD



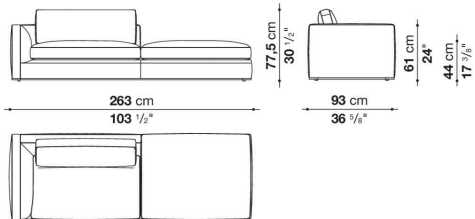
9RA240TPS



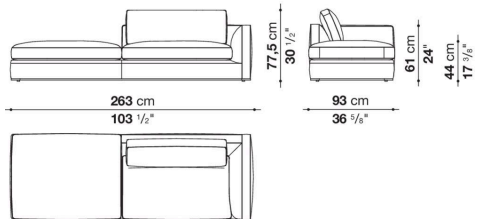
9RA240TPD



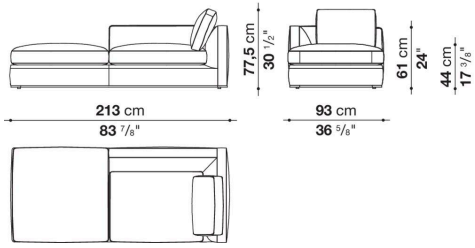
9RA260TPS



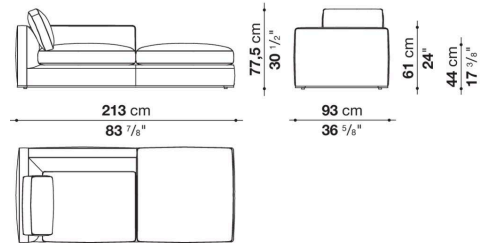
9RA260TPD



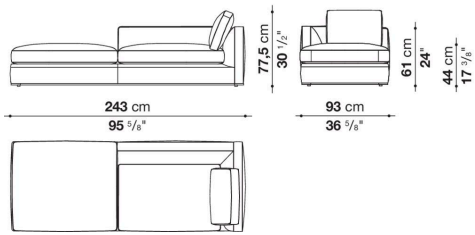
9RA210LS



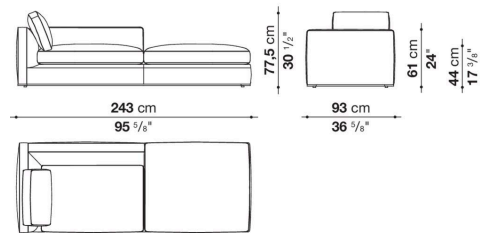
9RA210LD



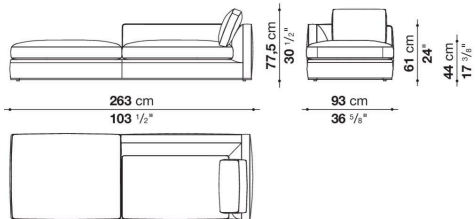
9RA240LS



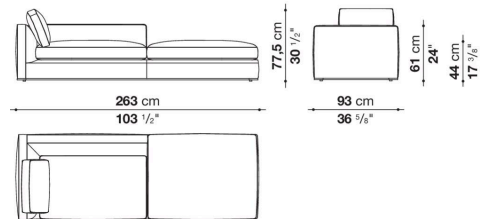
9RA240LD



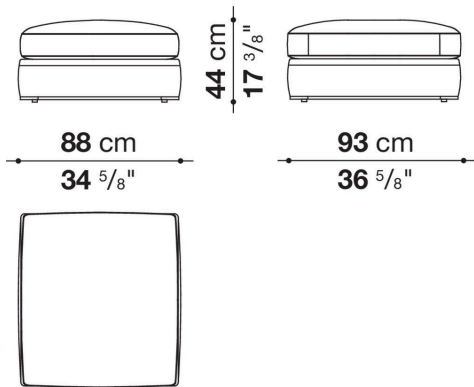
9RA260LS



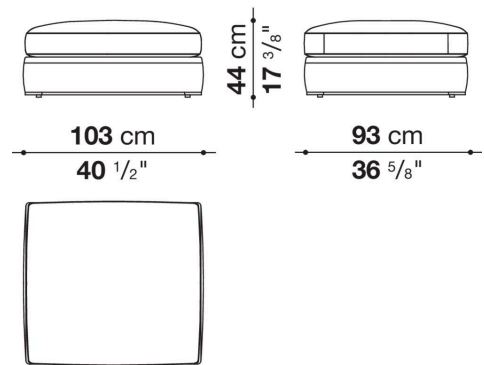
9RA260LD



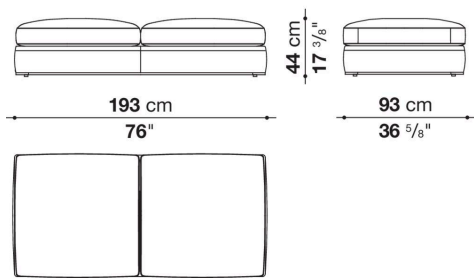
9RA85P



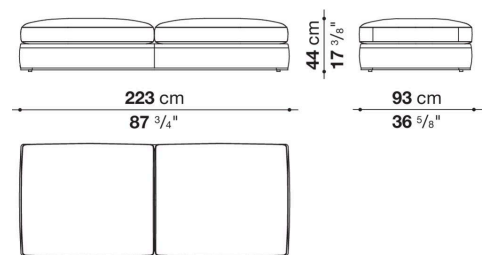
9RA100P



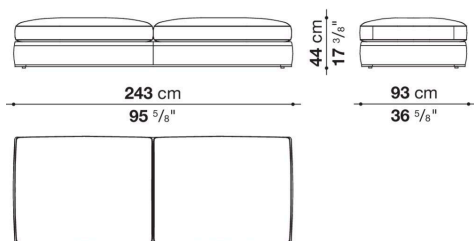
9RA190P



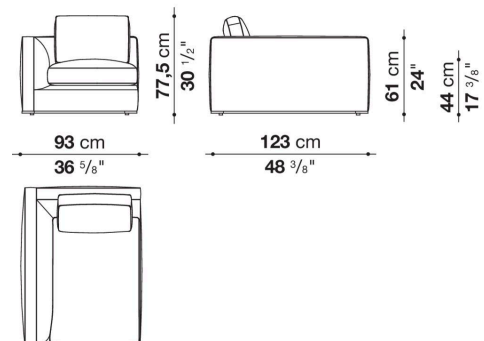
9RA220P



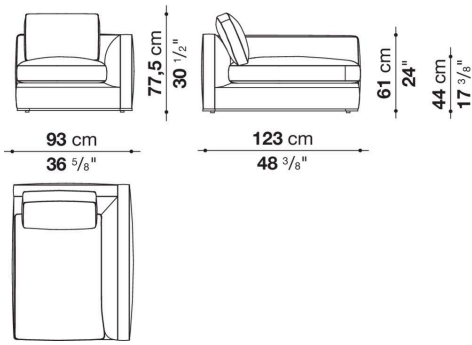
9RA240P



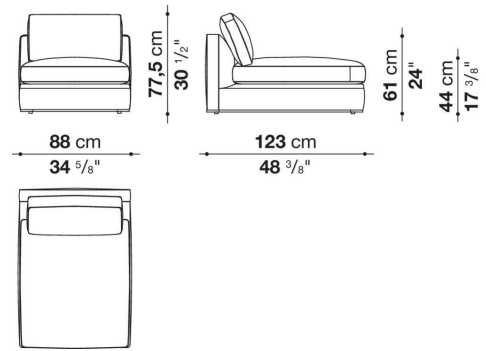
RA90TS



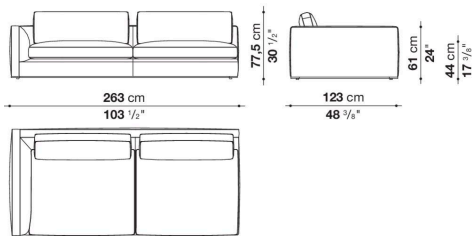
RA90TD



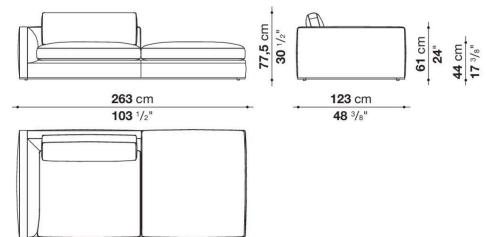
RA85C



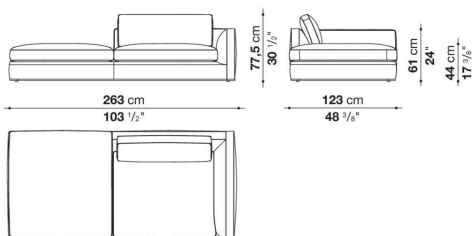
RA260TS



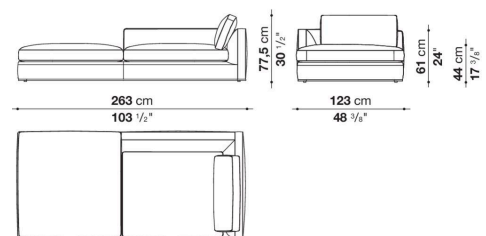
RA260TPS



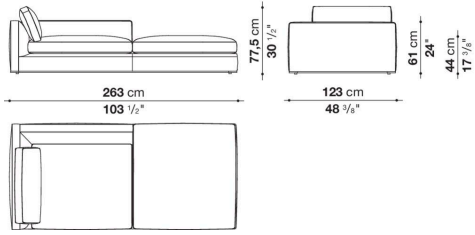
RA260TPD



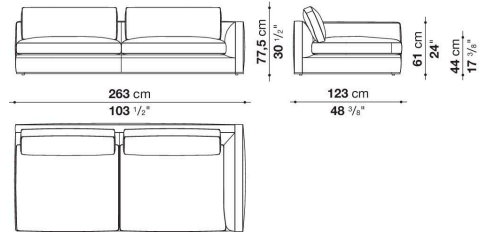
RA260LS



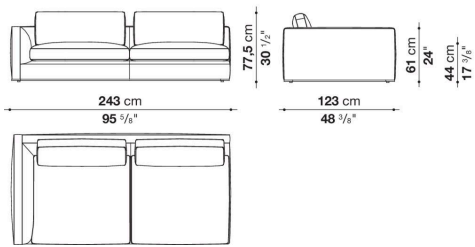
RA260LD



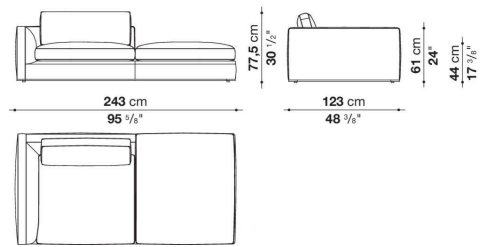
RA260TD



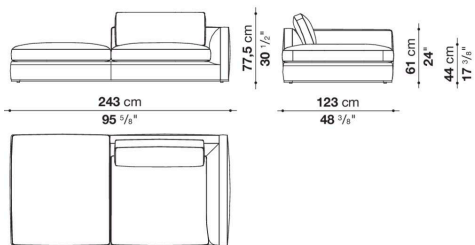
RA240TS



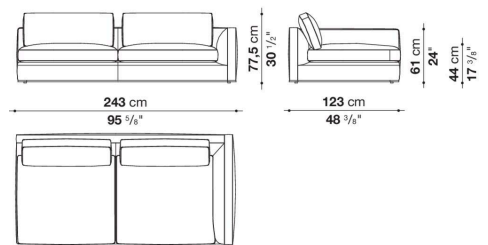
RA240TPS



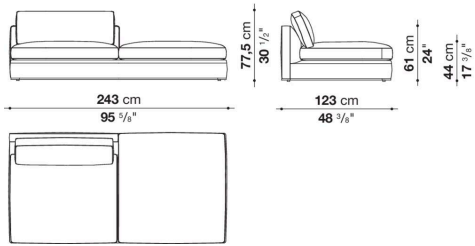
RA240TPD



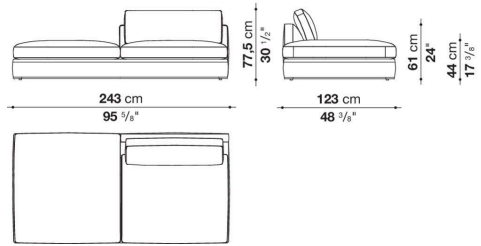
RA240TD



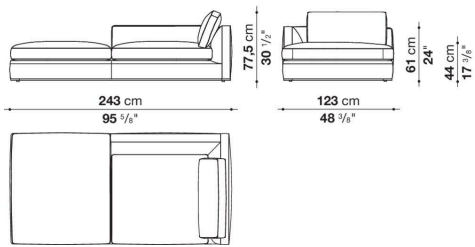
RA240PS



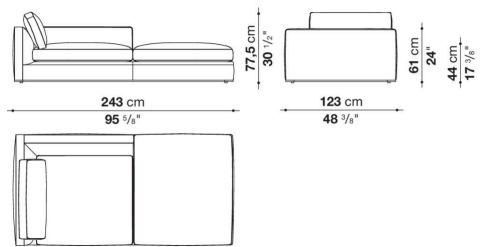
RA240PD



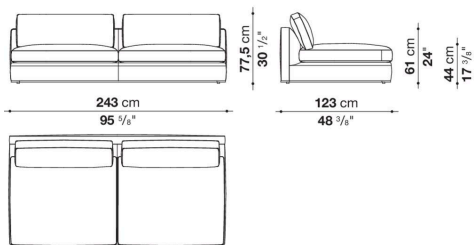
RA240LS



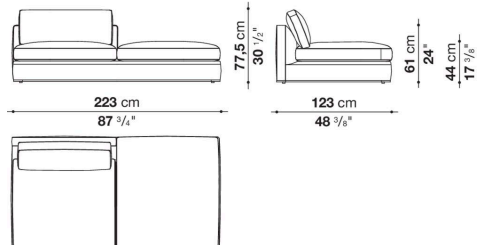
RA240LD



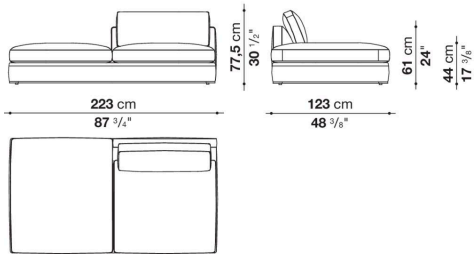
RA240C



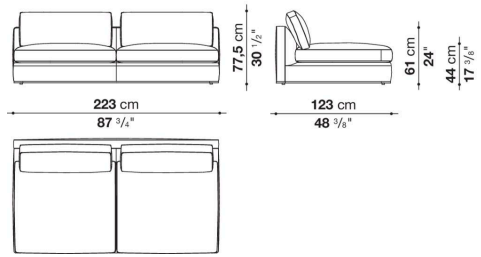
RA220PS



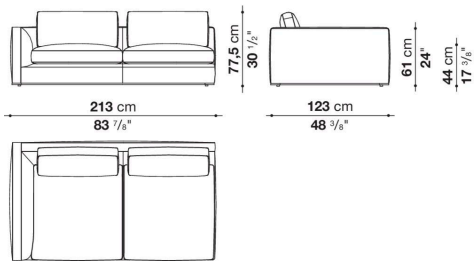
RA220PD



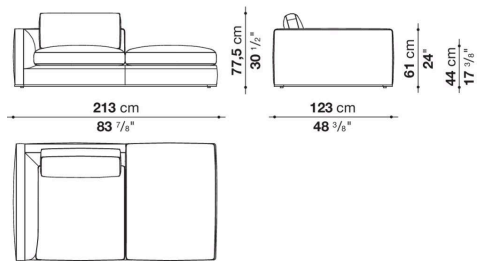
RA220C



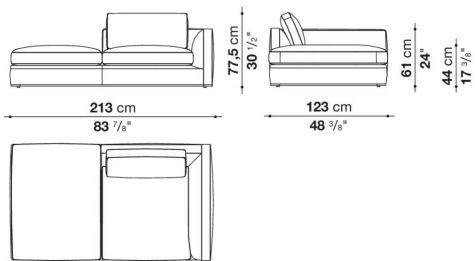
RA210TS



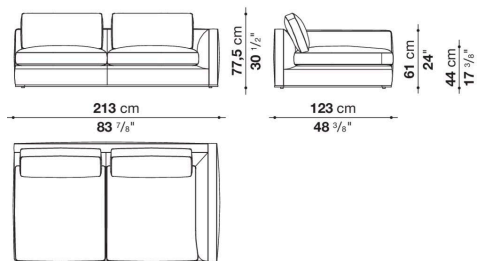
RA210TPS



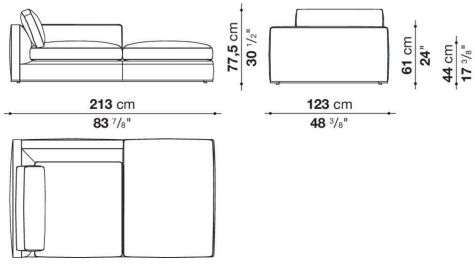
RA210TPD



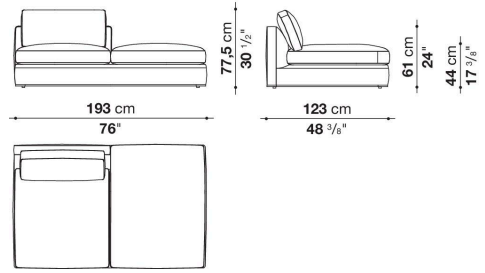
RA210TD



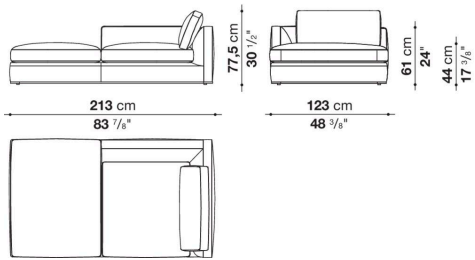
RA210LD



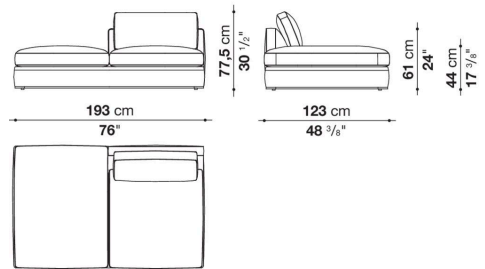
RA190PS



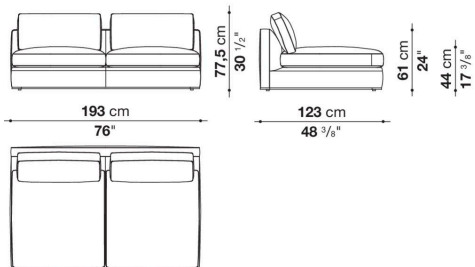
RA210LS



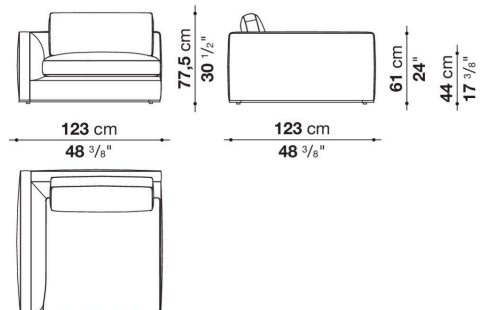
RA190PD



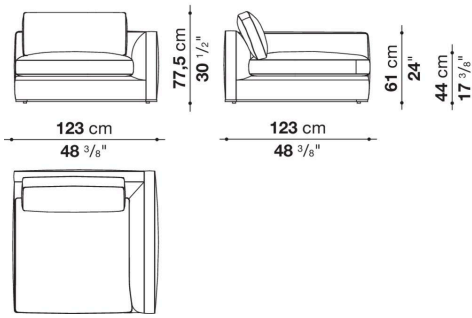
RA190C



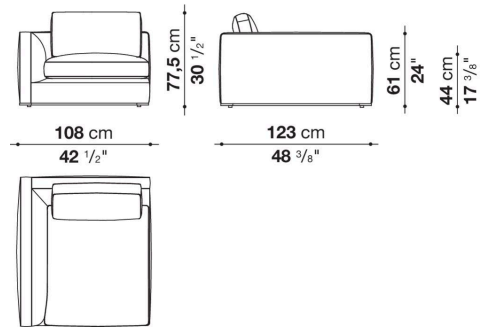
RA120TS



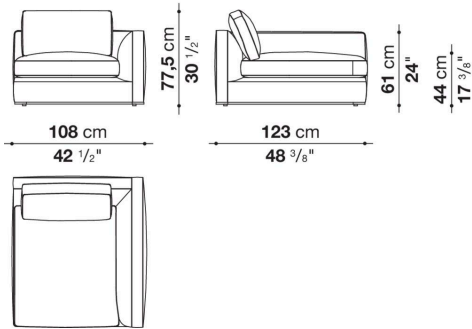
RA120TD



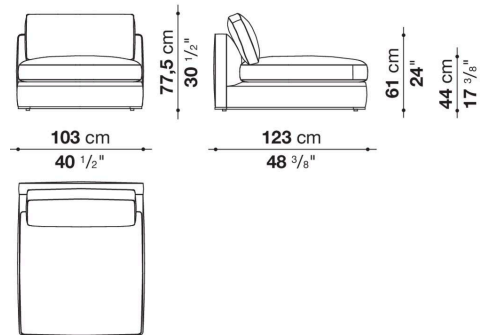
RA105TS



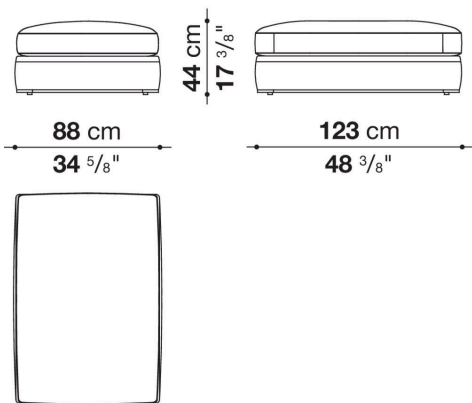
RA105TD



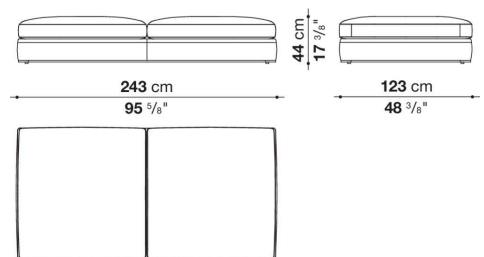
RA100C



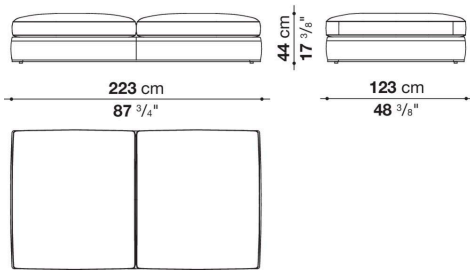
RA85P



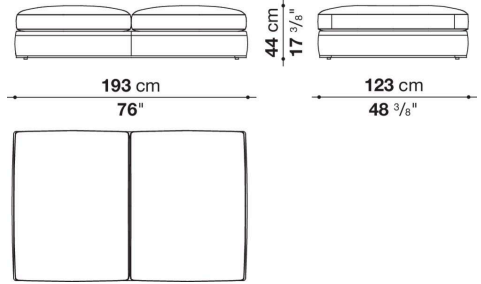
RA240P



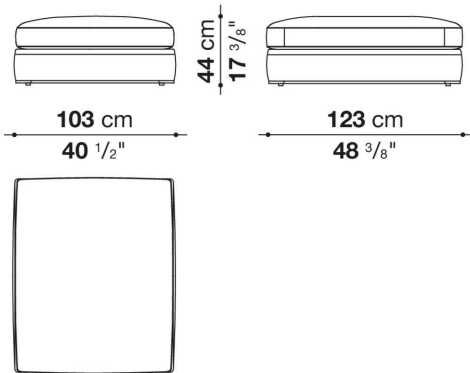
RA220P



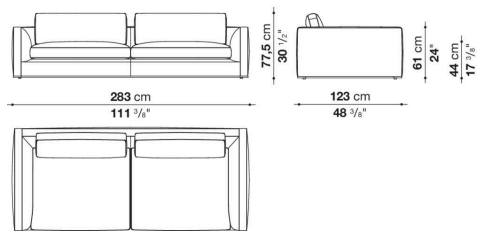
RA190P



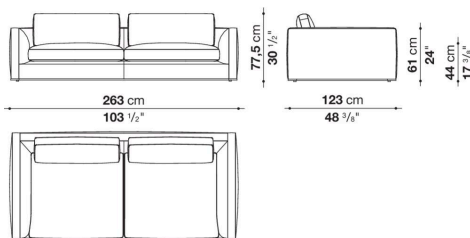
RA100P



RA280



RA260



RA230

