

Papilio

CHAIRS

2008

Naoto Fukasawa



Description

A chair and stool in two heights, Papilio can be used in formal contexts, while also allowing for a more informal use by leaning on one of the back's "wings", inspired by those of a butterfly (or "Papilio" in Latin). The formal balance derives from the constant thickness of the shell and from the shape of the seat, which is sinuous in the upper part and then merges with the light steel frame. Upholstered in either leather or fabric, Papilio's cover can be removed using a metal zipper on the back, a functional and decorative detail that characterises the entire line of chairs of the same name.

Technical information

Innenrahmen

Schale aus Material thermoplastisch

Innenrahmen Füllung

kalt elastischer Polyurethanschaum Bayfit®, Futter aus Polyesterfaser

Beine

Stahlrohre und -profile

Gleiter

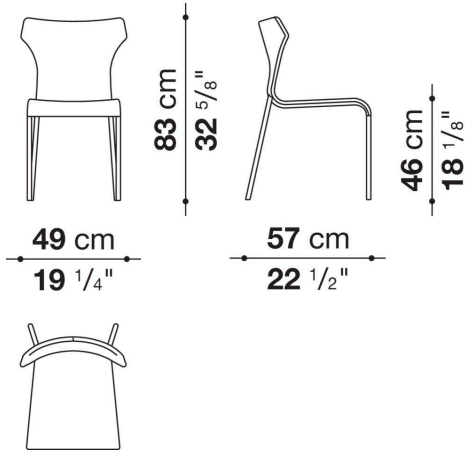
Material thermoplastisch

Bezug

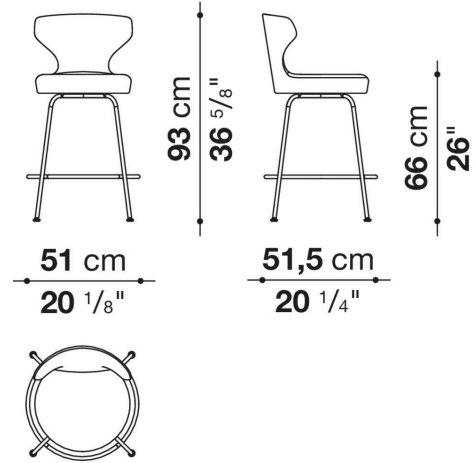
Stoff oder Leder in begrenzten Kategorien

Technical drawings

PA



SP51B



SP51A

