

Erica

ARMCHAIRS

2025

Antonio Citterio



Description

The Erica armchairs incorporate the characteristic elements of the entire series: the powder coated die-cast aluminium frame which offer lightness and durability, the interlacing made of polypropylene ribbons designed for outdoor use, and the foot design which provides a sense of visual and formal continuity. They are offered in different sizes and depths, including a version with a high backrest and integrated headrest ideal for relaxation. The seat cushions upholstery, embellished with a decorative profile, grants an appearance of natural softness, making them particularly inviting. The refined shades of the frame and interlacing are complemented by a vast range of cushion covers, in an array of tones and designs, all coordinating with each other. The lightness and refined design make Erica ideal for both public and residential settings, delivering ergonomic comfort together with strength for outdoor use.

Technical information

Gestell

Aluminiumguss und fließgepresstes Aluminium mit Polyesterpulverlackierung

Rückenlehne Füllung

Polyesterfasern recycelt aus PET, Futter aus Polyesterfaser mit wasserabweisender Beschichtung

Sitzfüllung

geformtes Polyurethan, Polyesterfasern recycelt aus PET, Futter aus Polyesterfaser mit wasserabweisender Beschichtung

Sitz Riemen

Polypropylenfaser und Fäden aus Synthetikgummi

Geflecht

Flechtgewebe aus Polypropylenfaser

Gleiter

Material thermoplastisch

Wetterfeste Abdeckung

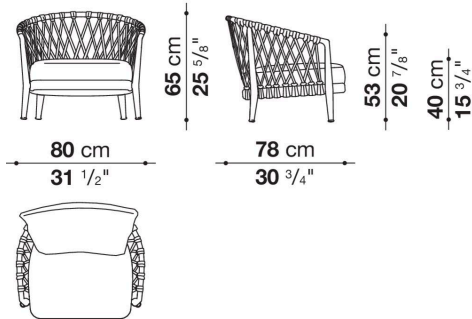
Polyesterstoff auf einer PU-Seite

Bezug

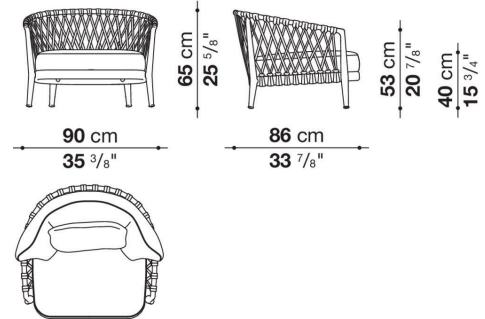
Stoff in begrenzten Kategorien (mit Profil)

Technical drawings

ER80P



ER90PB



ER90PA

