

Allure O' Dot

TABLES

2024

Monica Armani



Description

The tables Allure O' Dot, with lenticular shapes available in two heights, boast a fresh, dynamic, and trendy design, characterized by the iconic shape of the tops and bases, which echo the distinctive design of the Allure O' tables, the refinement of materials, colours and the play of transparencies. The bases in rigid lacquered polyurethane and the tops in smoky or transparent glass, both with central serigraphy, are the elements that give life to a transversal product, capable of adapting to multiple functions and uses. The result of Monica Armani's vision, combining taste, elegance and modernity in a single proposal, Allure O' Dot is available in three colours.

Technical information

Platte

Glas gehärtet mit Stahlplatte

Basis

harte Polyurethan

Traggestell

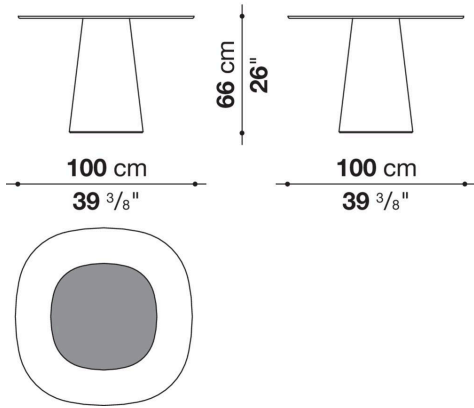
Metall

Gleiter

Material thermoplastisch

Technical drawings

TAD100Q_6L



TAD100Q_7L

