
Camaleonda x Stella McCartney

SOFAS

2023

Mario Bellini



Description

B&B Italia unveils a special edition Camaleonda, the iconic sofa system by Mario Bellini, adorned in a brand new fabric designed by Stella McCartney – platforming her S-Wave monogram. Marking the second chapter of the partnership between the British conscious luxury pioneer and the Italian design house. The Camaleonda is crafted from nearly entirely sustainable materials, materialising both brands’ nature-positive visions. The S-Wave monogram is inspired by DNA strings, soundwaves, sacred geometries and living in harmony with nature; a forever symbol embodying Stella McCartney’s ever-evolving commitments to circularity, material innovation and conscious leadership. More than a monogram, it honours golden ratios and the energies that connect us all, forming a connective visual thread that appears across Stella McCartney’s ready-to-wear and accessories collections. The brand-new Stella McCartney X B&B Italia Camaleonda introduces the latest Magnolia printed fabric “S-Wave”, which is the result of a next-generation sustainability innovation introduced by the design company’s R&D team. The S-Wave upholstery, available in three different colours, is based on OceanSafe naNea yarn, which is verified to be biodegradable, Cradle to Cradle Certified® Gold and does not contain harmful substances. The material does not shed persistent microplastics into the environment, however, performs like conventional materials.

Technical information

Untergestell

MDF NAF Holzfaser

Sitzfüllung

geformtes Polyurethan mit verschiedener Dichte, Futter aus Polyethylenterephthalat oder Polyethylen und Nylon mit Nylonnieten

Rückenlehne Füllung

geformtes Polyurethan, Polyurethanschaum, Futter aus Polyethylenterephthalat oder Polyethylen und Nylon

Armlehne Füllung

Polyurethanschaum, Futter aus Polyethylenterephthalat oder Polyethylen und Nylon

Ringe

Messing

Karabiner

Edelstahl

Schnur

Polypropylen

Schnurstopper und Verbindungsrohre

Kunststoff

Füße

Massivholz

Gleiter

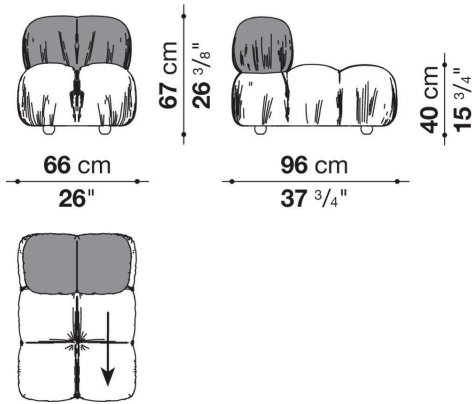
Kunststoff

Bezug

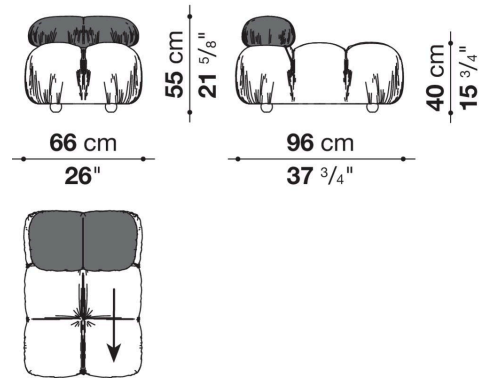
Stoff Stella McCartney mit Metallnieten

Technical drawings

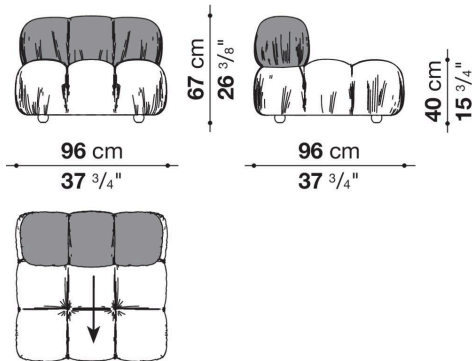
CM66CM



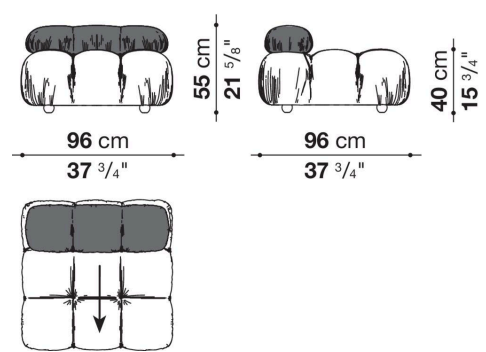
CM66B_CM



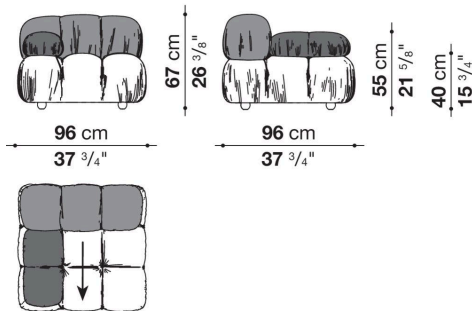
CM96CM



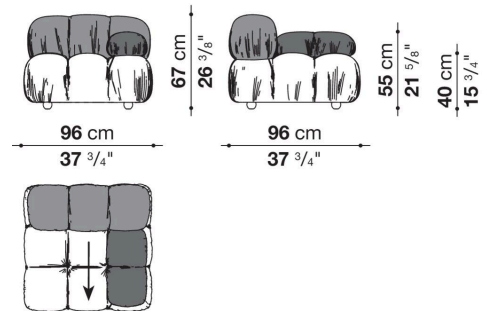
CM96B_CM



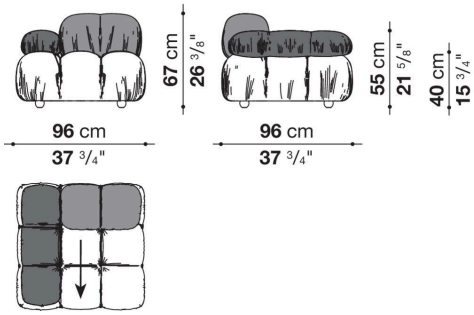
CM96B_TS1M



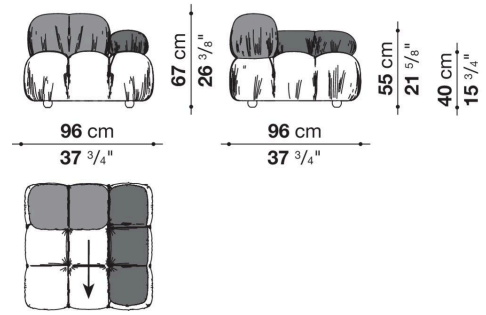
CM96B_TD1M



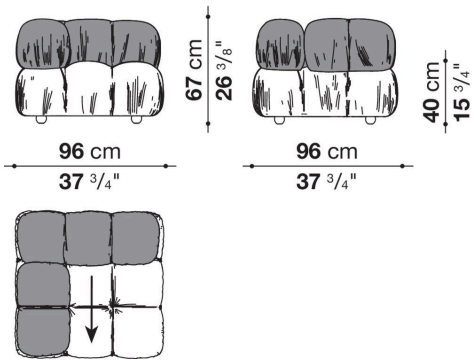
CM96B_TS2M



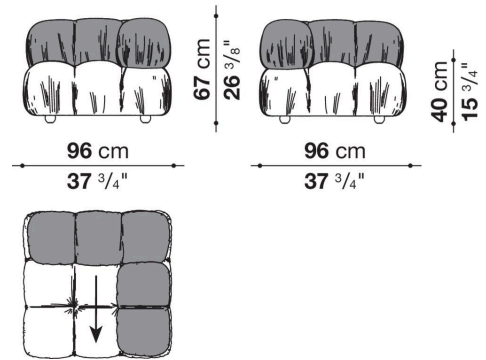
CM96B_TD2M



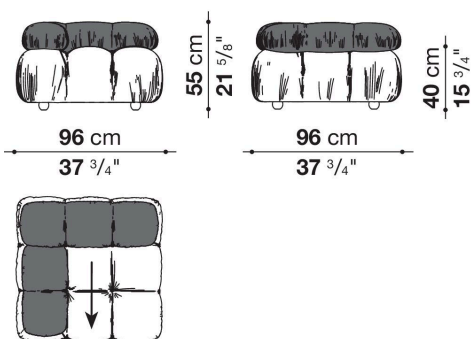
CM96ASM



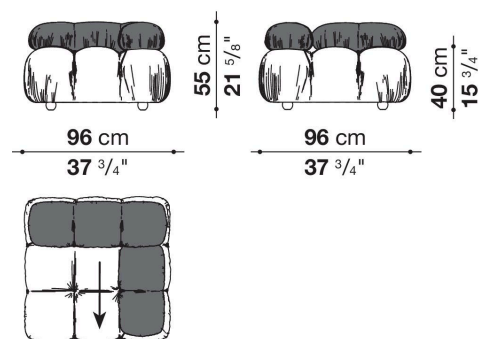
CM96ADM



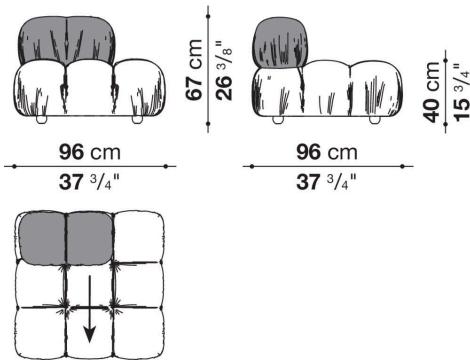
CM96B_ASM



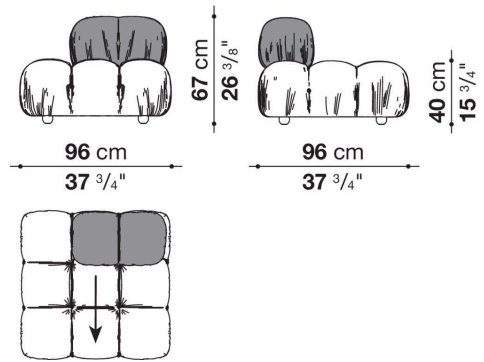
CM96B_ADM



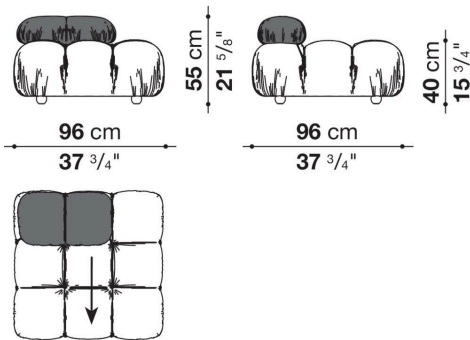
CM96TPSM



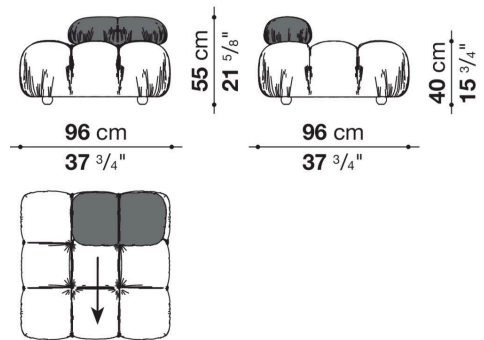
CM96TPDM



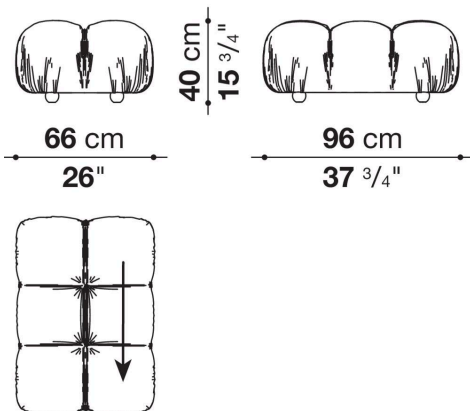
CM96B_TPSM



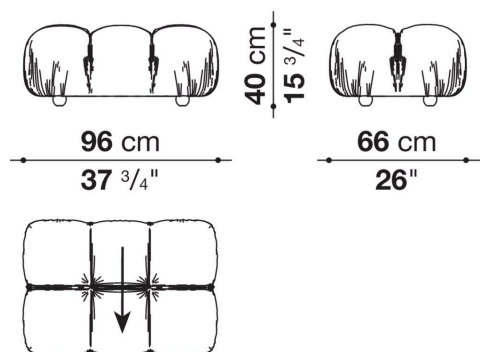
CM96B_TPDM



CM66PM



CM96PM



CM96PQM

