

Flair O' Outdoor

CHAIRS

2023

Monica Armani



Description

The Flair O' Outdoor chair is characterized by a lightweight aluminium frame completely covered with an interlacing of polypropylene ribbons created following a meticulous artisan process. In particular, the backrest is woven on a special circular loom (tombolo) in line with an ancient technique typical of the area where the B&B Italia headquarter is located. To fine-tune it, Monica Armani collaborated with unPIZZO, a design studio based in Cantù, which specializes in the recovery and development of traditional weaving techniques revisited in a contemporary key and applied to the furnishing sector. The structures, available in sophisticated shades, is completed by two padded cushion that define the shape and provide even more comfort. Flair O' Outdoor is proposed in two heights to match with the two heights of the Allure O' Outdoor tables: a classic seating height and a less imposing one more devoted to relaxation.

Technical information

Gestell

Aluminiumrohre

Geflecht

Flechtgewebe aus Polypropylenfaser

Rückenlehne Füllung

aus PET recycelte Polyesterfasern, Futter aus Polyesterfaser mit wasserabweisender Beschichtung

Sitzfüllung

elastischer Polyurethanschaum, Futter aus Polyesterfaser mit wasserabweisender Beschichtung

Gleiter

Material thermoplastisch

Wetterfeste Abdeckung

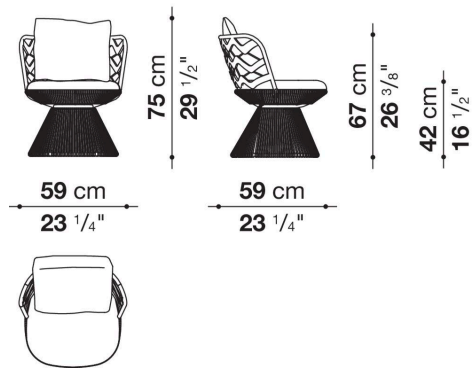
Polyesterstoff auf einer PU-Seite

Bezug

Stoff in begrenzten Kategorien

Technical drawings

OFL60_B



OFL60_A

