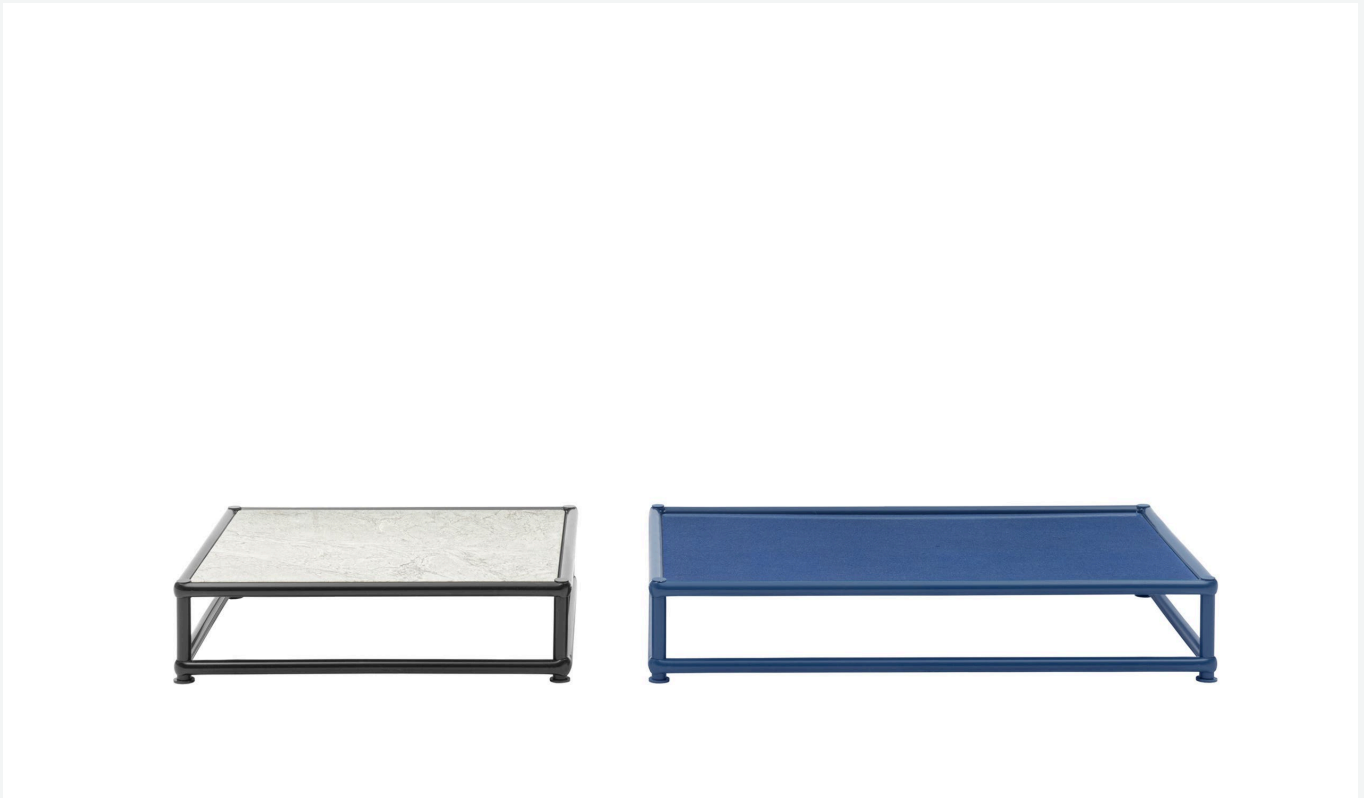


# Nooch

SMALL TABLES

2023

Piero Lissoni



## Description

---

A low table with a linear design underlined by tubular elements in recycled aluminium. It is available in a square or rectangular version with tops in serpentine stone or in enamelled lava stone in different colours to match the semi-gloss finishes of the structure.

## Technical information

---

**Gestell**

Aludruckguss und fließgepresstes Aluminium

**Platte**

Serpentin-Stein oder Lavastein emailliert

**Gleiter**

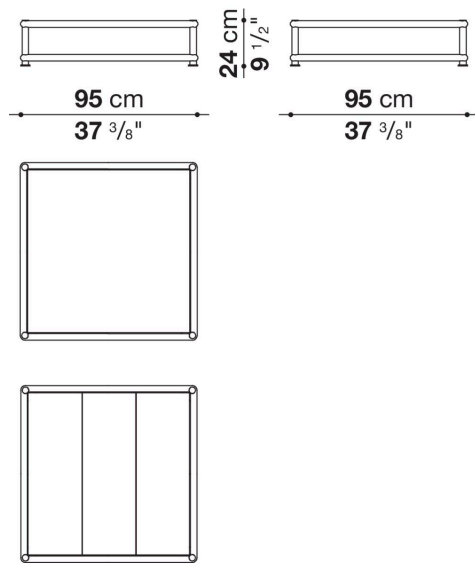
Elastomer thermoplastisch

**Wetterfeste Abdeckung**

Polyesterstoff auf einer PU-Seite

# Technical drawings

**TNH95Q**



**TNH136**

