

Cordoba

ARMCHAIRS

2022

Foster+Partners Industrial Design



Description

Designed by Foster+Partners, Industrial Design Studio, Cordoba is an armchair that combines design, precision and environmental responsibility. Roomy and welcoming, the oak wood frame recalls Nordic precision and an oriental spirit, through an almost primordial combination that reveals accoutrements of absolute quality. In the legs, armrests and seat elements, the section changes according to function, reducing to a minimum that accommodates technical requirements, provides comfort and ensures an aesthetic devoted to lightness. The back and seat are made of thick leather, either smooth or embossed, which can be easily removed to allow for convenient maintenance and to be able to separate all materials when needed. This choice represents the desire to move in the direction of increasingly responsible design.

Technical information

Gestell

Massivholz

Abstandshalter

Aluminium eloxiert

Fußstützen

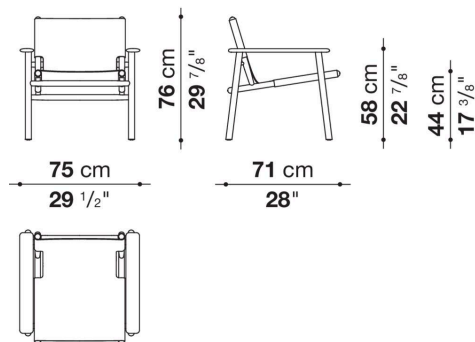
Material thermoplastisch

Bezug

Kernleder

Technical drawings

CR75R



CR75F

