
Le Bambole

ARMCHAIRS

2022

Mario Bellini



Description

The Bambole armchair is part of Le Bambole series, originally designed in 1972, awarded with the Compasso d'Oro in 1979. Icon of timeless contemporaneity and one of the most effective expressions of Made in Italy excellence combining research and creative flair, Le Bambole have provided a very personal answer to the theme of seats. What makes them special is the apparent absence of a load bearing structure, the extreme naturalness of the shape, and the combination of comfort, softness and elasticity that their appearance conveys. Where the original construction was based on a metal structure embedded in polyurethane, now the materials used are of the latest generation, starting from recycled polyethylene gives structure. A sustainable project thanks to the choice of materials and the construction method, that allows the components of Le Bambole to be completely disassembled and therefore easily recyclable.

Technical information

Füllung

kalt elastischer Polyurethanschaum, Futter aus Polyesterfaser

Elastischer Einsatz

Elastomer thermoplastisch oder Polyurethan-Schaumstoff

Gestell

Polyethylen

Fußabdeckungen

Nylon

Gleiter

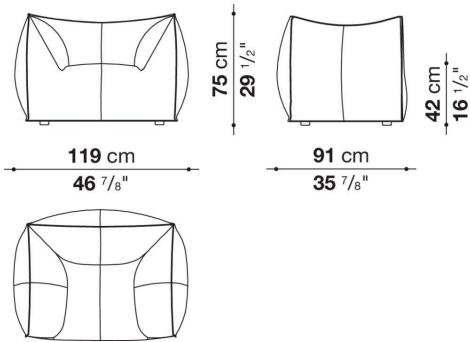
Material thermoplastisch

Bezug

Stoff oder Leder

Technical drawings

LBA1



LBA1_MC

