

Allure O'

TABLES

2021

Monica Armani



Description

The Allure O' table is presented as a heart-felt tribute to glamour interpreted in contemporary style. The graceful force of its design is clearly seen in the shape of the top and the balance between the control of straight lines and sinuosity of curves. In an interplay of elliptical geometric shapes that recalls the Madison mirror, designed by Monica Armani in 2017, this piece renews the reference of the shape of Jackie O's iconic eyeglasses. Allure O' is available with a square or rectangular top, both with bevelled edges, and each comes in two sizes to seat four, six, or even eight people. The section of the truncated pyramid base replicates the rigorous balance of the top with delicate proportions to create a level of harmony that can guarantee structural and visual stability. The finishes underscore the sophisticated elegance of the inspiring concept behind it. These pieces are available in glossy and matte painted finishes in many colours, and also in light and black oak wood. The top and base can also be finished in combinations of different colours. Furthermore, the table Allure O' can be enhanced with an upper marble top or with sophisticated glossy black glass.

Technical information

Platte/Unterer Ablageplatte

Panel aus Holzfaser lackiert oder furniert

Obere Platte

Glas fumé mit Rückseite lackiert oder Marmor (Polyesterausführung matt oder Polyesterausführung glänzend)

Platte (TAO155QGR-TAO225GR)

Steinzeug

Innenrahmen und Verriegelungsplatte

Stahl

Untergestell

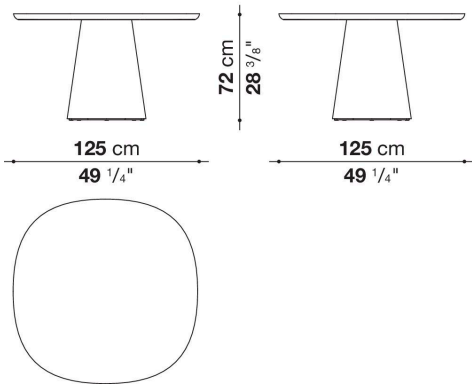
harte Polyurethan oder Schichtholz geschwungen mit Einsätzen aus Holzfaser

Gleiter

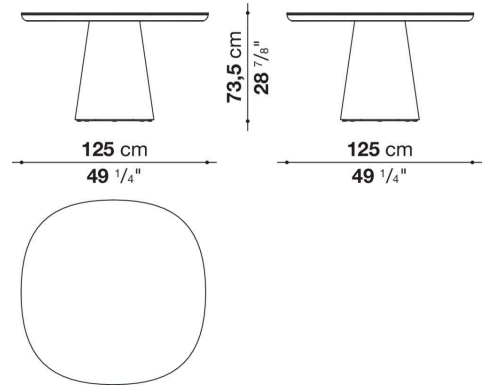
Material thermoplastisch

Technical drawings

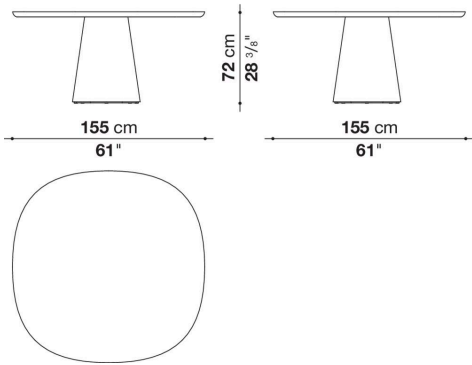
TAO125Q



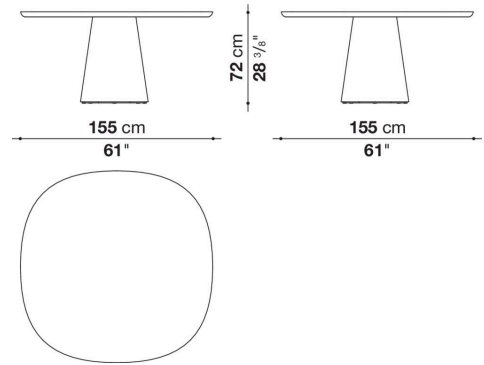
TAO125Q_T



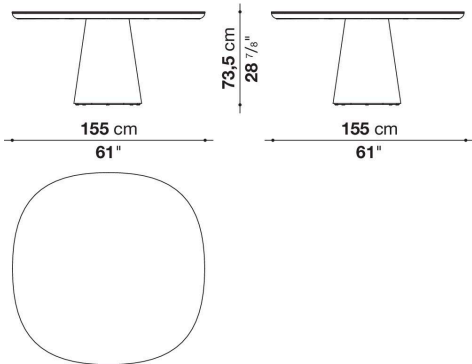
TAO155QGR



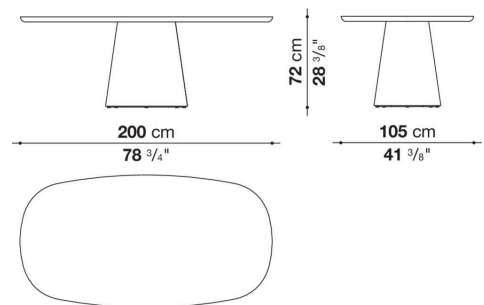
TAO155Q



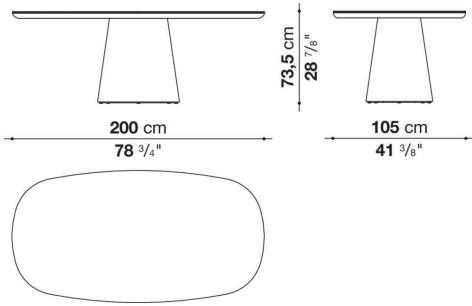
TAO155Q_T



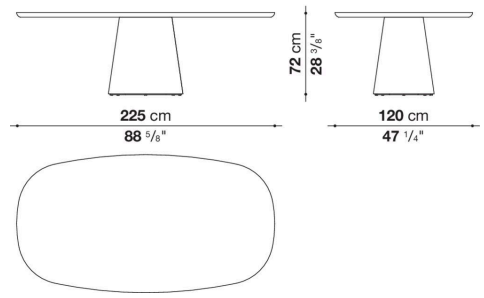
TAO200



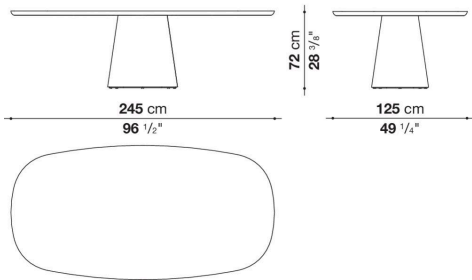
TAO200_T



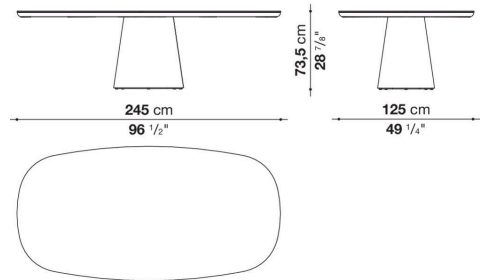
TAO225GR



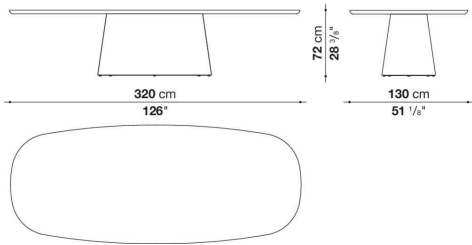
TAO245



TAO245_T



TAO320



TAO320_T

