
Charles

SOFAS

1997

Antonio Citterio



Description

An icon of contemporary design, the Charles sofa stands out for its light image accentuated by the essential design of the die-cast aluminium feet in the shape of an inverted "L" which, together with the design of the armrest, the single seat cushion and the free back cushions, is the distinctive element of the line. The airy shape and simple profile make it, almost by contrast, extremely rich and innovative from a spatial standpoint: a system that encourages the creation of ever new compositions, from an in-line two- or three-seater sofa, to a sofa with chaise longue, to a corner sofa. Charles reveals a great formal elegance that goes well beyond the current times and fashions. A broad selection of elements satisfies any furnishing need, including the most personal desire for comfort. The cover is available either in fabric or in leather.

Technical information

Innenrahmen

Stahlrohre und -profile

Innenrahmen Füllung

kalt elastischer Polyurethanschaum Bayfit®, Futter aus Polyesterfaser

Innenrahmen Füllung (CHP-CH150P)

geformtes Polyurethan verschiedener Dichten, Futter aus Polyesterfaser

Sitzkissen Füllung (Haushalt)

geformtes Polyurethan verschiedener Dichten, sterilisierte Daunen, Futter aus Polyesterfaser

Sitzkissen Füllung (Allgemeinheit)

geformtes Polyurethan verschiedener Dichten, Polyesterfaser, Futter aus Polyesterfaser

Rückenkissen (CH48_C-CH72_C)

Polyesterfaser, Futter aus Baumwolle, Typ mit Umrandung

Füße

Aluminiumguss

Gleiter

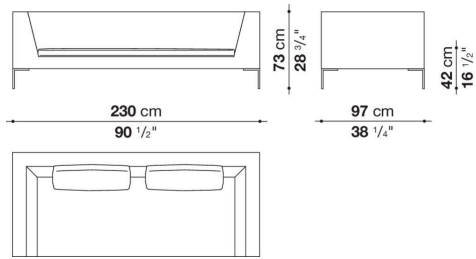
Material thermoplastisch

Bezug

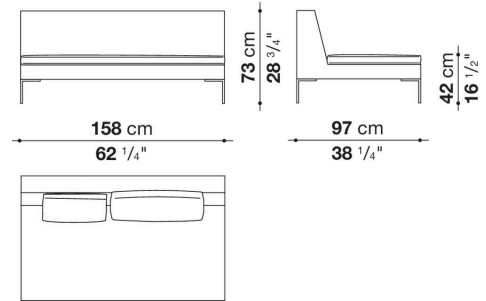
Stoff oder Leder

Technical drawings

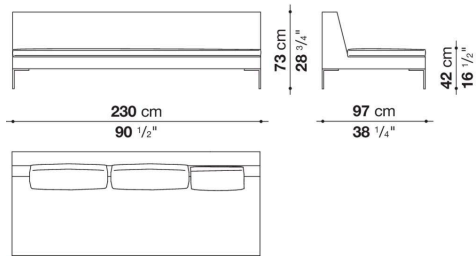
CH228



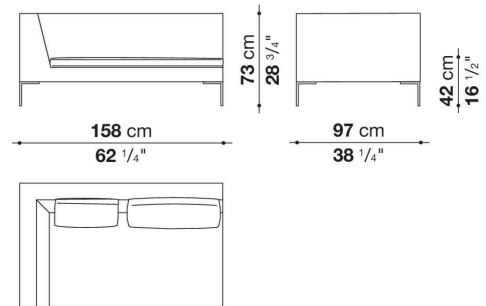
CH156C



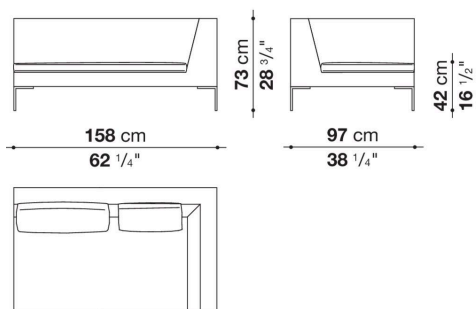
CH228C



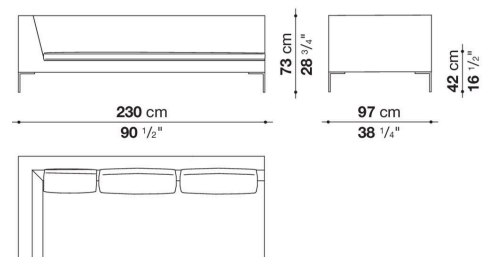
CH156S



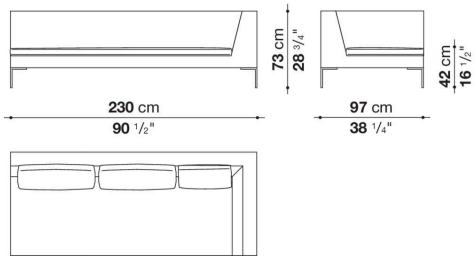
CH156D



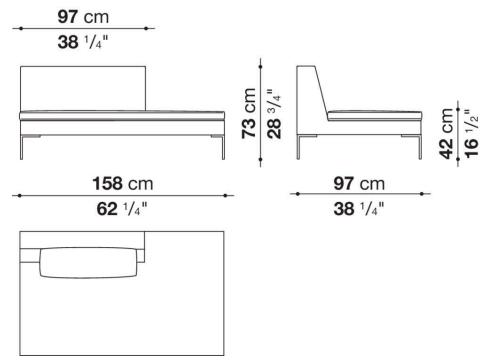
CH228S



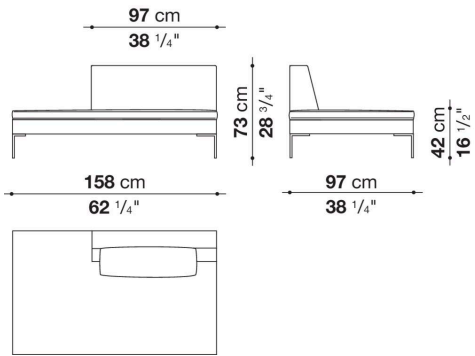
CH228D



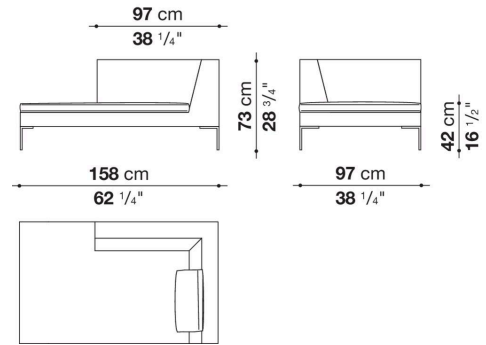
CH156TPS



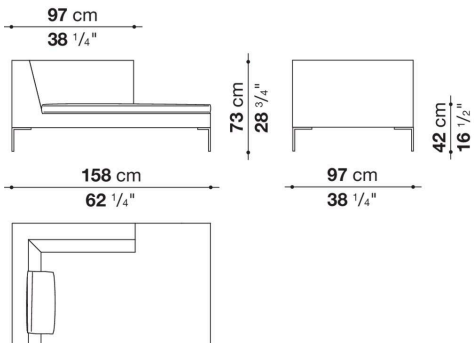
CH156TPD



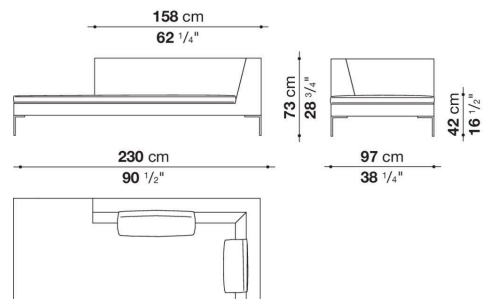
CH156LS



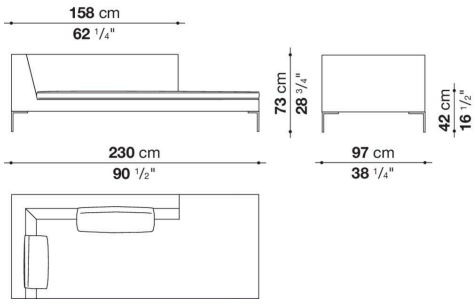
CH156LD



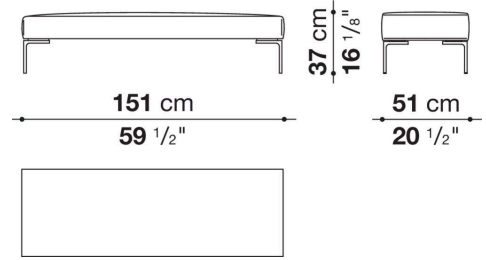
CH228LS



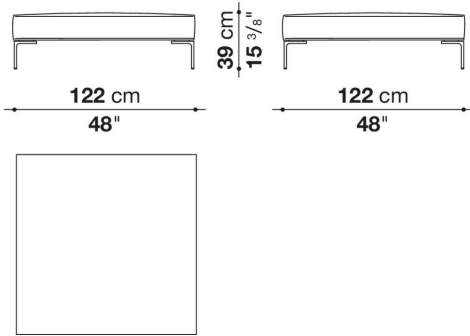
CH228LD



CH150P



CHP



CH180L

