

Ginepro

TABLES

2020

Antonio Citterio



Description

The Ginepro table is made with an anthracite painted aluminium structure and a Serpentine stone top, extremely durable and precious. With its two shapes (round and rectangular with rounded corners) and different dimensions, it lends itself to be placed in different outdoor environments: terraces, verandas, patios and gardens.

Technical information

Platte

Serpentin-Stein

Gestell

Aluminiumguss und fließgepresstes Aluminium mit Polyurethanlackierung

Gleiter

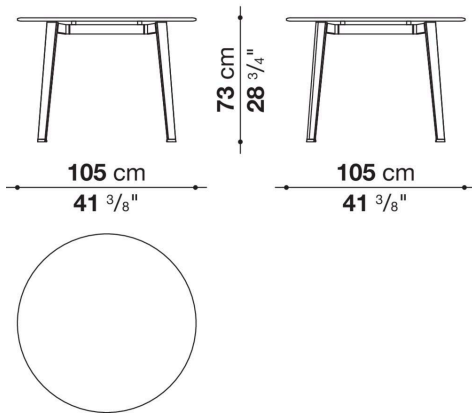
Material thermoplastisch

Wetterfeste Abdeckung

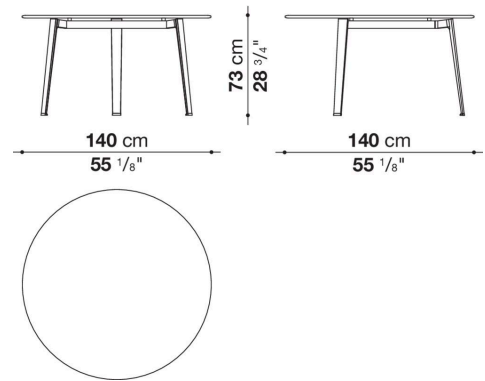
Polyesterstoff auf einer PU-Seite

Technical drawings

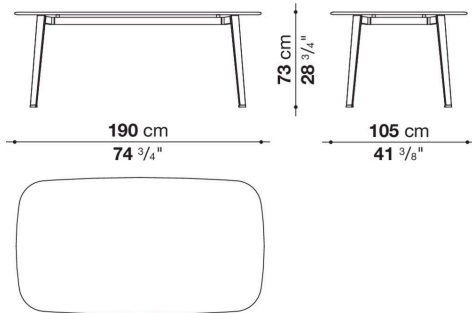
TGS105R



TGS140R



TGS190



TGS250

