

Crinoline

CHAIRS

2008

Patricia Urquiola



Description

The Crinoline chairs and stools are characterised by a sophisticated polyethylene fibre interlacing with a surprisingly natural texture. The chairs are available in two versions: with a woven backrest combined with a bright stainless steel base and a fabric upholstered seat; or with an aluminium frame that supports the curved seat and back, as if to create an entirely interwoven double shell silhouette. The stools, in two heights, have a woven back, a bright stainless steel base and a fabric upholstered seat.

Technical information

Untergestell

Aluminium mit Polyesterpulverlackierung oder Edelstahl

Sitzkissen/Sitz- und Rückenkissen

geformtes Polyurethan, Futter aus Polyesterfaser mit wasserabweisender Beschichtung

Geflecht

Polyethylenfaser

Gleiter

Material thermoplastisch

Wetterfeste Abdeckung

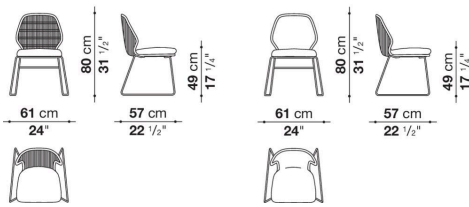
Polyesterstoff auf einer PU-Seite

Bezug

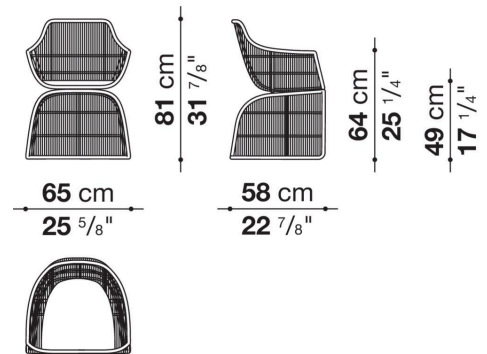
Stoff in begrenzten Kategorien

Technical drawings

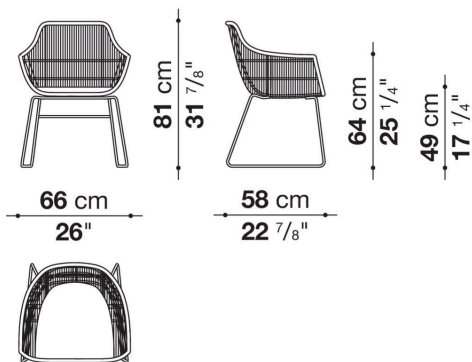
C1PF



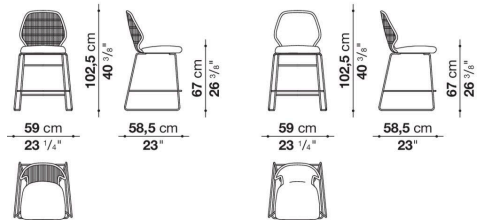
C2P



C2PF



C7PF



C6PF

