

# Borea

SMALL TABLES

2021

Piero Lissoni



## Description

---

The Borea small tables for outdoor use offer refined support solutions that play with shapes, sizes and materials. They stand out for their thin frame in painted steel rod and tops in enamelled lava stone, both available in different colours.

By experimenting with different heights and sizes, the Borea small tables cater to every requirement.

## Technical information

---

**Gestell**

Edelstahlrohre

**Platte**

Lavastein emailliert

**Gleiter und Abstandshalter**

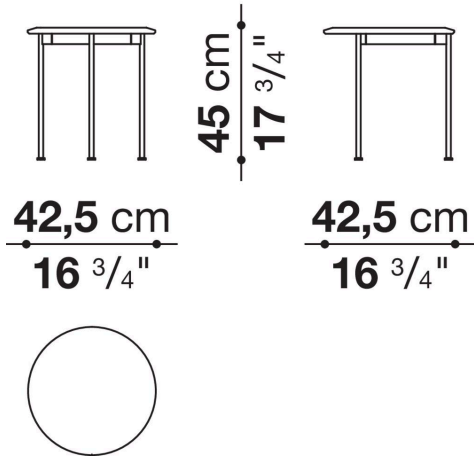
Kunststoff

**Wetterfeste Abdeckung**

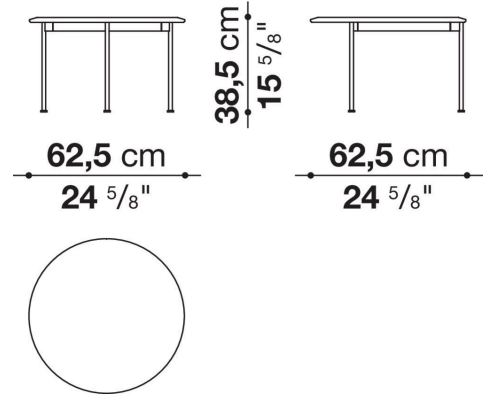
Polyesterstoff auf einer PU-Seite

# Technical drawings

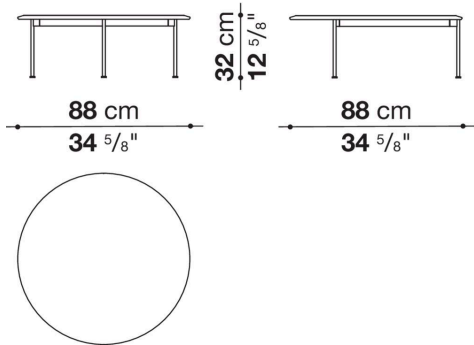
## TBE4



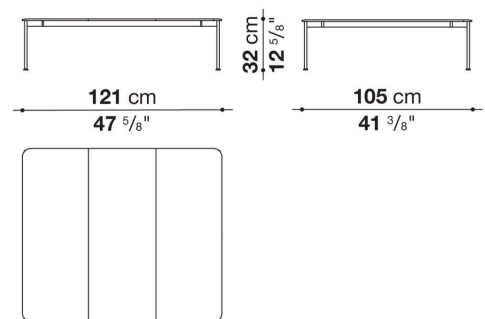
## TBE6



## TBE8



## TBE121



## TBE162

