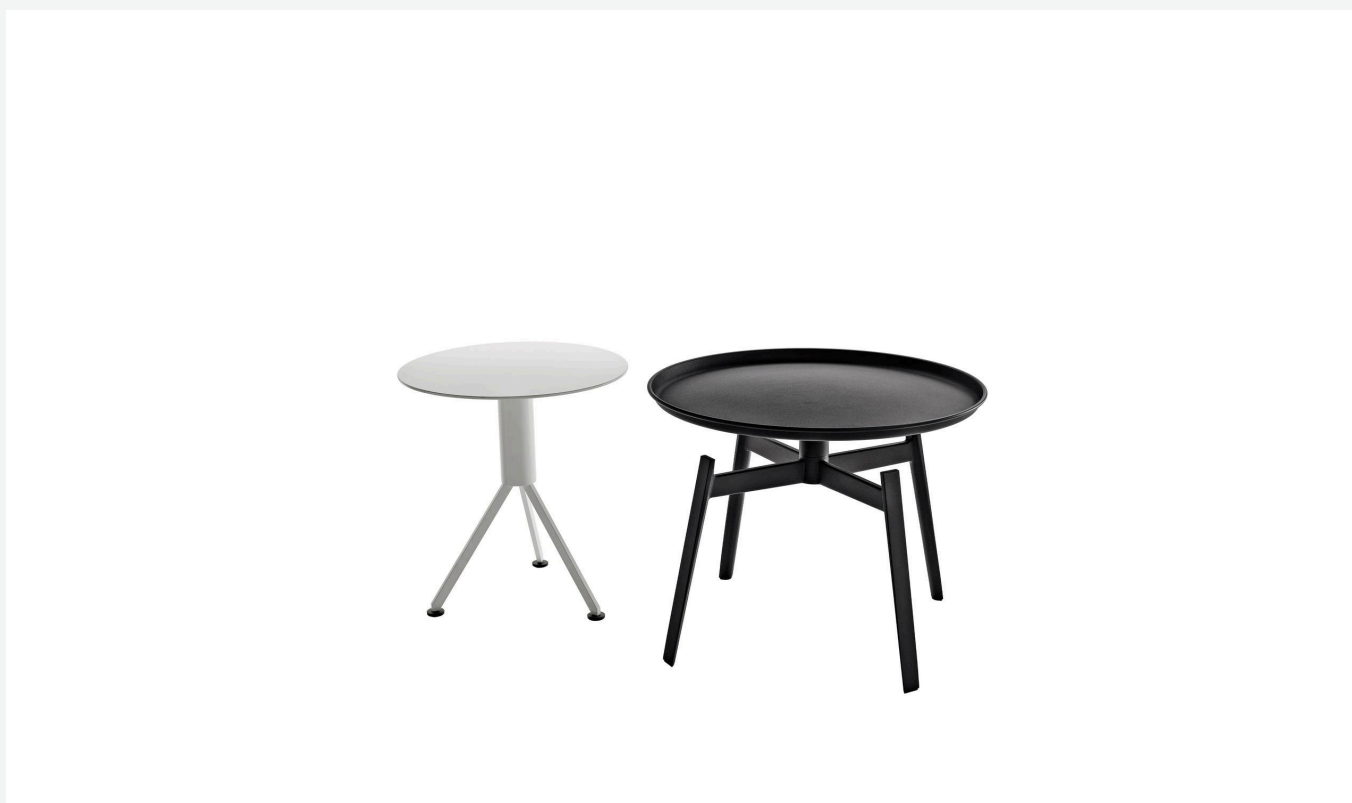


Husk Outdoor

SMALL TABLES

2011

Patricia Urquiola



Description

The Husk Outdoor small tables stand out for their clean, formal lines and their metal tops and frame. They come in two versions: a small table with a three-spoke base and a round top available in various colours; and a four-spoke small table with tray top painted in a single colour.

Technical information

Platte (HT)

Aluminiumblech mit Polyesterpulverlackierung

Platte und Tablett (HTO62-HTO62V)

Stahlblech mit Polyesterpulverlackierung

Traggestell

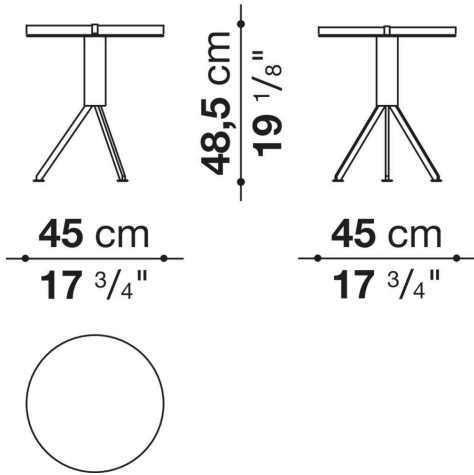
Stahlblech und Aluminiumguss mit Polyesterpulverlackierung

Gleiter

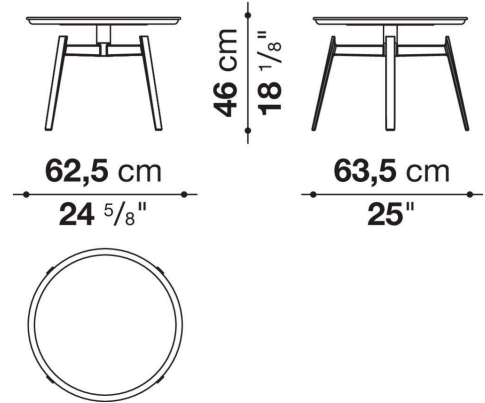
Kunststoff

Technical drawings

HT



HTO62



HTO62V

