

# Hollow

ARMCHAIRS

2006

Patricia Urquiola



## Description

---

This project is the result of a group of modular panels of different sizes, which can be assembled through hinges to act as back and armrest and hold a soft seats. Blocked and supported by the legs, the entirely upholstered and lined panels display a concave plastic surface on the outside, which visually moves the elements and enhances their effect of lightness.  
The height of the feet from ground is 30 cm (11 3/4").

## Technical information

---

**Innenrahmen**

Stahlrohre und -profile

**Innenrahmen Füllung**

kalt elastischer Polyurethanschaum, Futter aus Polyesterfaser

**Schale**

Schale aus Kunststoff oder Kunststoff und Leder

**Füße und Verbindungselemente**

Stahl

**Gleiter**

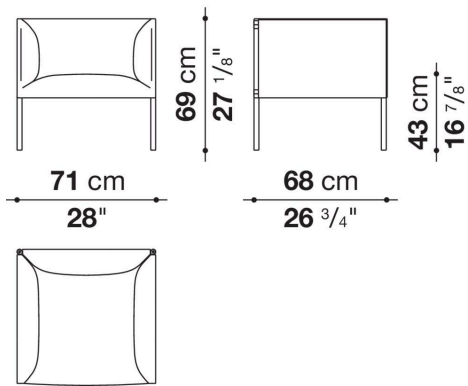
Material thermoplastisch

**Bezug**

Stoff oder Leder in begrenzten Kategorien

# Technical drawings

## HO71



## HO80

