

# Mirto Outdoor

CHAIRS

2013

Antonio Citterio



## Description

Timeless, resistant and durable, both from a formal and a physical point of view, the Mirto Outdoor chairs express an elegance that transcend time and fashions. They come in a fixed version, with or without armrests, and in a folding version, reinterpreting the classic director's chair. They feature a light aluminium frame and a seat and back in Batyline® Canatex mesh, whose hemp fibre confers a surprisingly natural look compared to the plastics usually used in this sector. The edges are expertly cut, sewn and glued around the profiles to create a minimalist décor. Mirto Outdoor is a complete series of outdoor furniture inclusive of chairs, armchairs, loungers, dining tables and furnishings.

## Technical information

**Gestell**

Aluminiumguss und fließgepresstes Aluminium mit Polyurethanlackierung

**Sitz und Rückenlehne**

Netz Stige aus Batyline® Canatex

**Sitz und Rückenlehne (MI59N)**

Stoff Laguna oder Lamar

**Kante und Armlehne**

Batyline® Keops

**Armlehne (MI59N)**

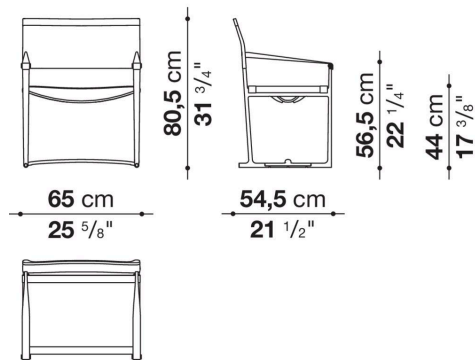
wasserdicht Kernleder

**Gleiter**

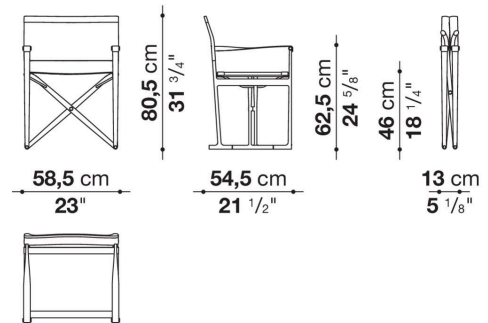
Elastomer thermoplastisch

# Technical drawings

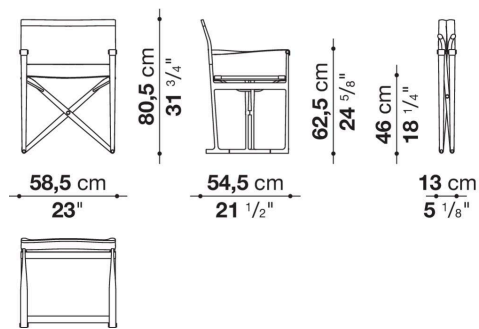
**MI65P**



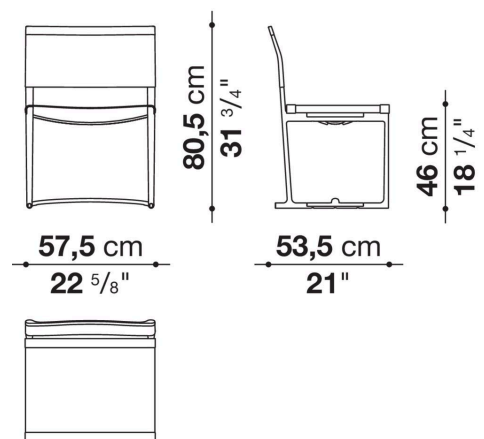
**MI59N**



**MI59SR**



**MI58S**



**MI59\_IM**

