

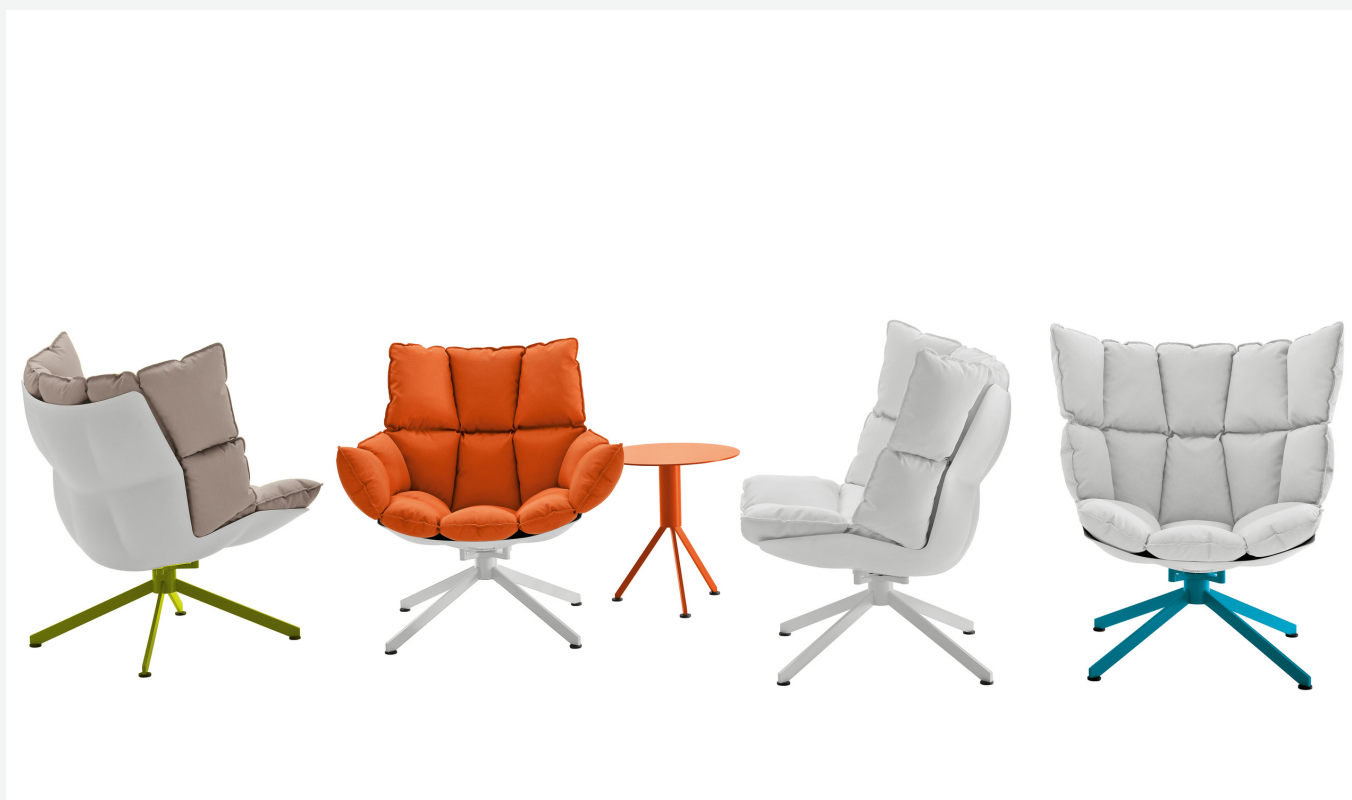
---

# Husk Outdoor

POLTRONE

2011

Patricia Urquiola



## Description

---

Comfort and eco-sustainability are the key words for describing the Husk Outdoor chairs. A collection that is a tribute to softness and an invitation to relax thanks to the generous extra soft cushions with a capitonné design. The hard shell is made of Hirek®, a special plastic material made up of recycled and recyclable polymers. The shell is in one colour, while the fixed seat support is available in different colours. The cushions come in two versions, with larger sizes on the seat or on the back.

## Technical information

---

**Shell**

Hirek® plastic material

**Upholstery**

polyester fibre, cover in water repellent polyester fibre

**Base-frame**

aluminium profiles with polyester powder painting

**Ferrules**

plastic material and stainless steel

**Waterproof cover cloth**

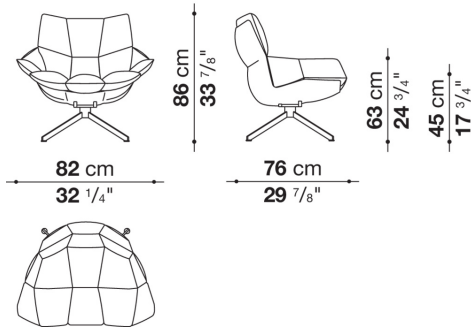
PES fabric coated on one side in PU

**Cover**

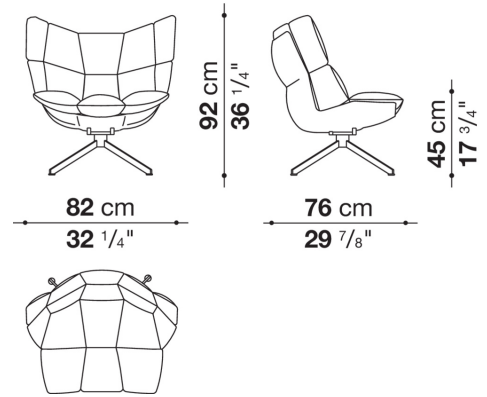
fabric in limited categories

# Technical drawings

## H4



## H2



## HP1

