

---

# Fat-Sofa Outdoor

DIVANI

2015

Patricia Urquiola



## Description

---

The Fat-Sofa Outdoor collection stands out for its rounded, soft and sinuous shapes, echoing the features of the indoor system of the same name. Its fully padded seat is accompanied by a back with a metal frame that supports the original weave, made of dove grey coloured twisted polyethylene fibres. A technique with a graphic effect and macro dimensions that make the design unique, respecting the designer's idea of lightness and transparency, and putting the furnishings in an open "dialogue" with the surrounding environment. The Fat-Sofa Outdoor collection consists of an in-line sofa in two sizes and a large relaxing seat. The series is complemented by an armchair with backrest in two heights and different sized ottomans.

## Technical information

---

**Frame**

aluminium with polyester powder painting

**Interlacing**

polyethylene fibre

**Internal frame**

tubular steel and steel profiles, polystyrene foam

**Internal frame upholstery**

flexible cold shaped polyurethane foam, shaped polyurethane of different density, water repellent polyester fibre cover (with heat-sealed ribbon)

**Internal frame (FA61P-FA76P)**

polystyrene foam, MDF wood fibre panel with Umidax® high humidity resistance

**Internal frame upholstery (FA61P-FA76P)**

flexible cold shaped polyurethane foam, shaped polyurethane, water repellent polyester fibre cover (with heat-sealed ribbon)

**Back cushion**

polyester fibre, cover in water repellent polyester fibre

**Bottom base**

100% polyamide fabric coated PVC, PVC trimming

**Feet**

thermoplastic material

**Waterproof cover cloth**

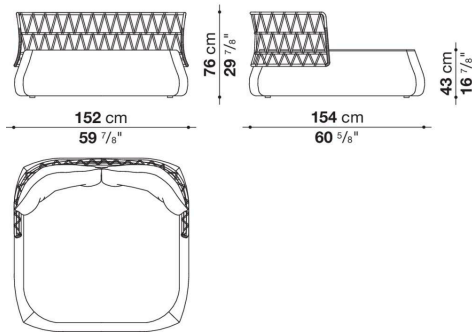
PES fabric coated on one side in PU

**Cover**

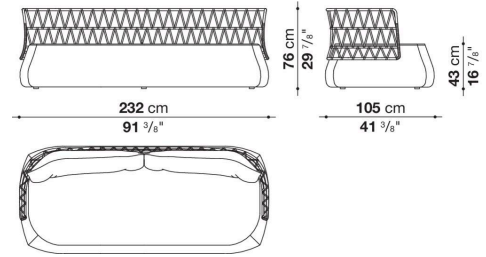
fabric in limited categories

# Technical drawings

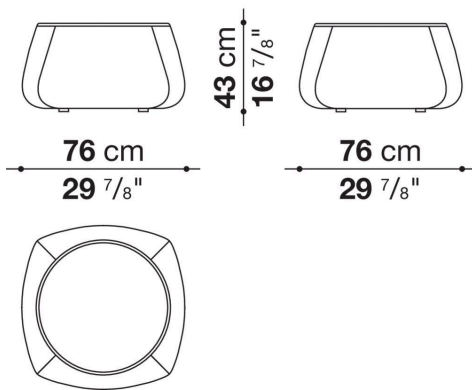
**FA150**



**FA230**



**FA76P**



**FA61P**

