

Metropolitan '14

POLTRONE

2014

Jeffrey Bernett



Description

With their slender profile and expertly tailored design, the Metropolitan '14 small and regular armchairs stand out for their modern style marked by the seat flowing uninterruptedly into the armrests. The small version, with a four-spoke aluminium swivel base, combines elegance and comfort, while the regular version, with a four-spoke or round swivel base, is wider and comes with a headrest. Both models can be upholstered in fabric or leather. The series comes complete with a matching footrest.

Technical information

Internal frame

tubular steel and steel profiles

Internal frame upholstery

Bayfit® flexible cold shaped polyurethane foam, shaped polyurethane, polyester fibre cover

Internal frame upholstery (MP63-MP63_1)

Bayfit® flexible cold shaped polyurethane foam, polyester fibre cover

Loinrest cushion upholstery

polyester fibre, cotton cover

Headrest cushion (MP_P)

polyester fibre, cotton cover, steel sheet counterweight

Support frame (MP100ADP)

aluminium laminate and extrusions

Support frame (MP100AP-MP100-MP63_1)

die-cast aluminium and extrusions

Support frame (MP63)

drawn steel

Base-frame (ML100AP-ML100)

drawn steel and wood

Ferrules

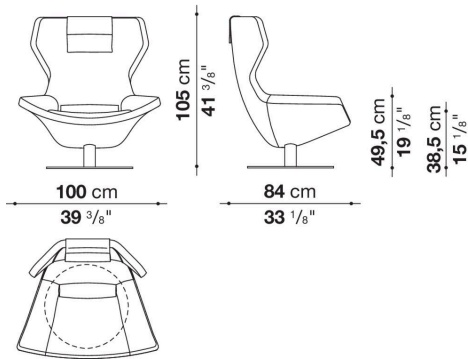
thermoplastic material

Cover

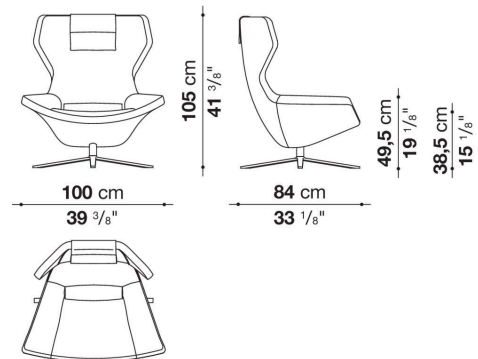
fabric or leather

Technical drawings

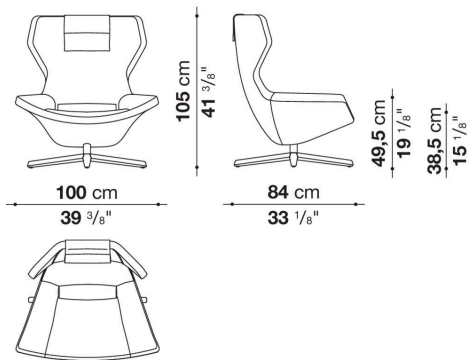
MP100ADP



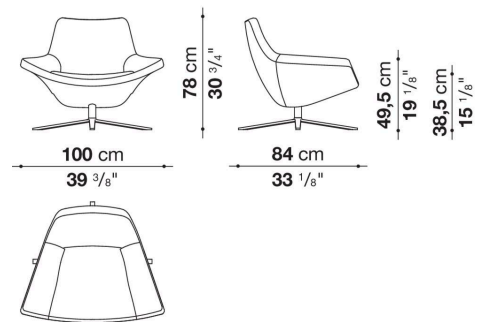
MP100AP



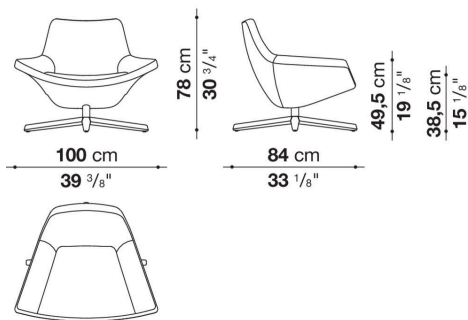
ML100AP



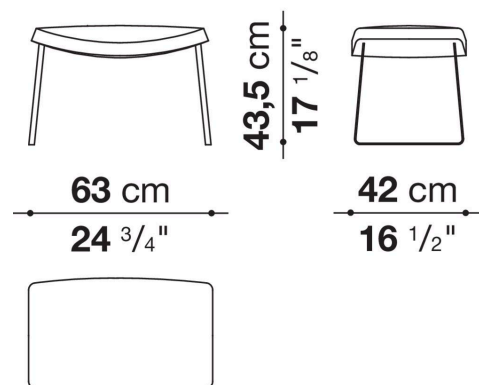
MP100



ML100



MP63



MP63_1

