

B&B Atoll

LETTI

2021

Antonio Citterio



Description

The B&B Atoll collection is continuously being expanded and updated, and has now been extended with the addition of a new bed. This latest piece of furniture reflects the stylistic elements of the B&B Atoll sofas, united as they are by the same exceptional elegance, clean, understated lines, and rigorous proportions, as well as by the die-cast aluminium legs set at each corner, now a staple of contemporary furniture. As with the entire B&B Atoll range, the bed can be covered in leather or fabric.

Technical information

Internal frame

tubular steel and steel profiles

Internal frame upholstery

Bayfit® flexible cold shaped polyurethane foam, polyester fibre cover

Slatted base

tubular steel and wood multi-layered slats

Support frame

die-cast aluminium

Ferrules

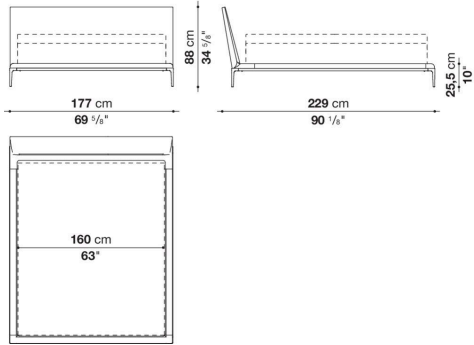
plastic material

Cover

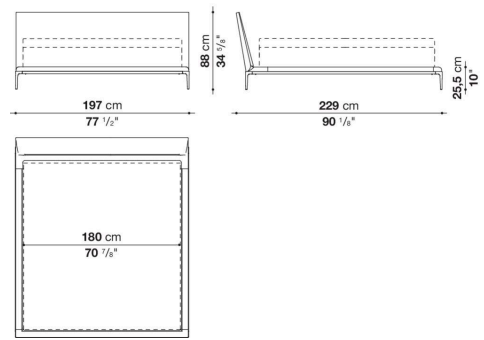
fabric or leather

Technical drawings

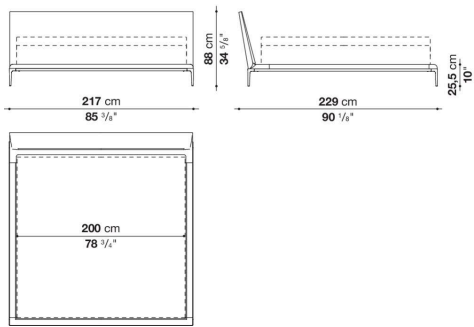
ATL160



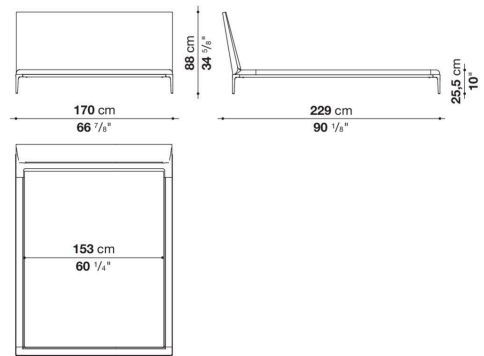
ATL180



ATL200



ATL153



ATL193

