
Noonu

LETTI

2021

Antonio Citterio



Description

A brand new element in the Noonu archipelago is the bed. Its lines echo the design of the sofa, in particular the headboard, an element that instantly stands out for its understated grandeur, attracting the eye and enveloping the body. In pure Noonu style, the underlying frame is slightly suspended off the ground as if floating on the floor. At the base of the bed we find the usual metal profile in curved aluminium, available in bright brushed, black chromed and pewter grey versions. As with the whole Noonu range, the bed can be covered in leather or fabric. For ease of movement, the bed can rest on four fixed feet or on two fixed feet and two wheels, positioned inside the frame to remove them from view.

Technical information

Internal frame

tubular steel and steel profiles

Internal frame upholstery

Bayfit® flexible cold shaped polyurethane foam, polyester fibre cover, shaped polyurethane

Slatted base

tubular steel and wood multi-layered slats

Lower edge

die-cast aluminium

Feet

steel

Wheels

steel and plastic material

Ferrules

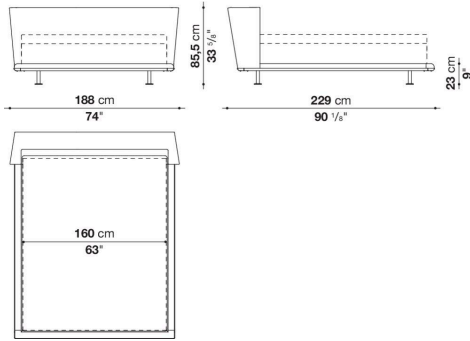
plastic material

Cover

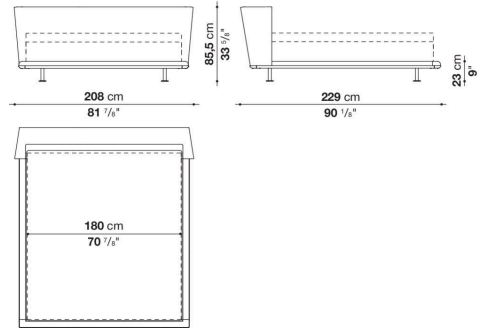
fabric or leather

Technical drawings

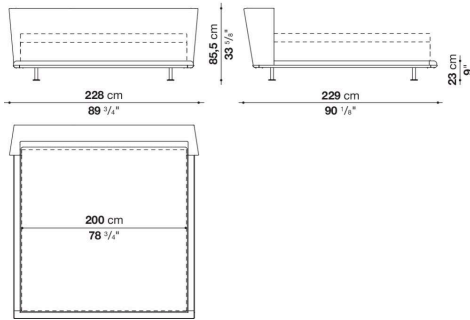
LN160



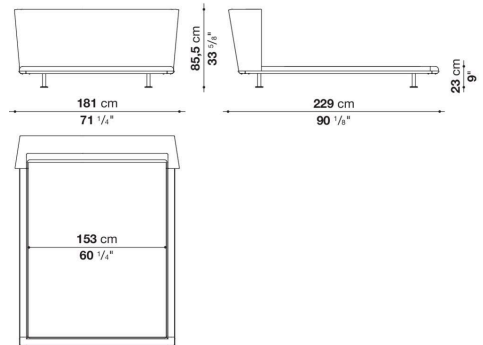
LN180



LN200



LN153



LN193

