

Noonu

DIVANI

2021

Antonio Citterio



Description

Noonu is an atoll, a corner of pure relaxation amidst the colours of the Maldives. Noonu is also the name of the new sofa system that Antonio Citterio has designed for B&B Italia: a brand-new project created to continue and complete the journey started in 2018 with B&B Atoll. The Noonu collection works in harmony with B&B Italia's previous collections to form a fully-fledged archipelago of options, where the unique character that distinguishes each individual element does its part in telling a cohesive story. "The theme of islands started back in the mid-'80s," says architect Antonio Citterio, "when we invented a selection of new types with the Sity line. We started referring to sofas with 'peninsulas' and 'islands', but that sort of terminology was, at the time, somewhat unusual. Nowadays, they're part of our everyday vocabulary". Today, that pioneering intuition has been transformed into an organic vision in which Noonu is offering itself as a port, a starting point from which to cast off and explore new territory. Noonu is a system of upholstery in which large sizes meet impressive flexibility. The supporting structure disappears from view, creating "islands" which appear to almost float, suspended in mid-air. The seats themselves are deep, with a single, large seat cushion that guarantees extreme comfort, inviting and relaxing whilst also characterising the overall aesthetic. The tilted back is designed to accommodate cushions, which can be distributed however you wish. The design is made even more intriguing by a support element that can be arranged in any manner of positions: a roller cushion bound by sophisticated webbing to a die-cast aluminium frame, which sits beneath the seat cushion. This allows you to use it freely as a terminal armrest element or as a headrest, to read or to work, placed between the seats or removed entirely, depending on how the sofa is being used. As Antonio Citterio tells us, the story of Noonu is rooted in a journey that started a few years ago: "Atoll and Noonu stemmed from a single idea, namely a cylinder that could be used as an armrest and cushions distributed freely over the sofa. What's new in Noonu is the apparently suspended seating, which extends all the way to the floor, and the new types of elements that we have defined as "piano" and "sail" elements, lending a certain identity and richness to the design". Noonu is comprised of four basic elements, namely a square and a rectangle, in addition to the brand-new "piano" and "sail" elements. The piano-shaped base creates a welcoming curve in the backrest, whilst the sail provides a generous, rounded volume at the front. Antonio Citterio has designed them to be "natural chaises longues", bold evolutions of the peninsula module, new organic forms conceived with total relaxation in mind, just like the special pockets of nature that Noonu is named after. Each component in the Noonu collection has, at its base, a metal profile made from curved, pre-shaped aluminium, a strip that runs along the entire perimeter of the frame, defining it, which comes in a selection of different finishes. The same finishes are also available for the supports for the roller elements. Noonu is set to be introduced in a new fabric with 12 colour variants: solid colours and mélanges of neutral hues, but also sophisticated shades of blue, green, red and orange. These are bold yet extremely homely tones, designed especially to suit combinations between the various elements of each individual composition (frame, cushions, rollers), thus allowing for a custom solution of an unrivalled elegance. In addition to this fabric, Noonu will also be available in leather. According to Antonio Citterio, "Noonu is a fully-fledged domestic island". And this island will draw on the straight and curved lines of its four basic components to establish a dialogue with the walls, but also to take centre stage in the room and create spectacular and dynamic islands. The elements of Noonu can also stand on their own as individual objects, be combined to create personalised compositions, or be selected to form a dialectical relationship with other elements from B&B Italia's collections, such as B&B Atoll seats and ottomans, Mirto accessories, and Diesis and Pianura tables. "From Atoll to Noonu," concludes Antonio Citterio, "what we have is a path that has developed over several years and that now, finally, we can present as a single project, a fully-fledged archipelago".

Technical information

Internal frame

tubular steel and steel profiles

Internal frame upholstery

Bayfit® flexible cold shaped polyurethane foam, polyester fibre cover

Seat cushion

shaped polyurethane of different density, polyester fibre, cotton cover

Back cushion

polyester fibre, cotton cover

Armrest cushion

sterilized down, visco-elastic polyurethane

Roller

shaped polyurethane, polyester fibre cover

Roller support

die-cast aluminium

Roller webbing

fabric or leather

Lower edge

die-cast aluminium

Ferrules

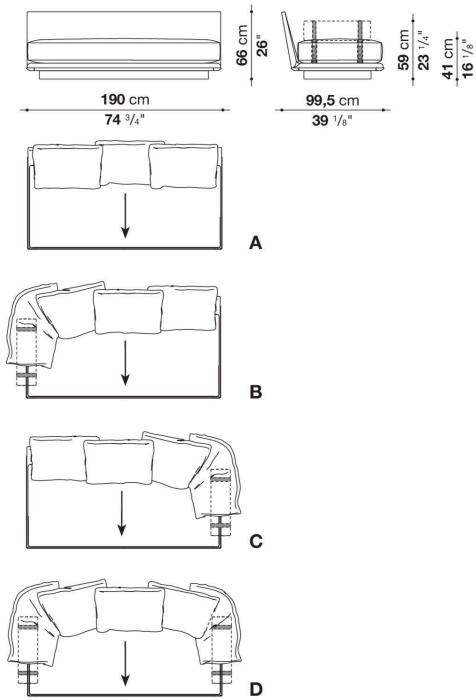
plastic material

Cover

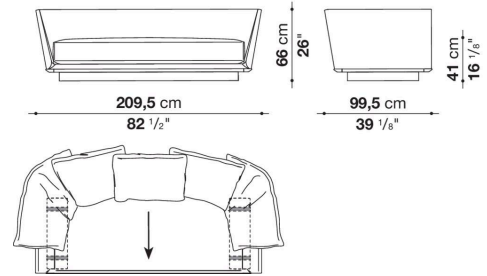
fabric or leather

Technical drawings

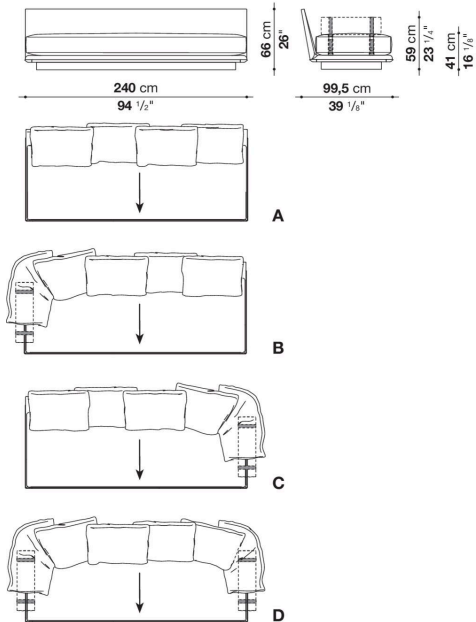
9N190



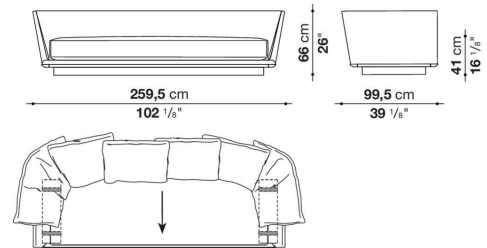
9N210



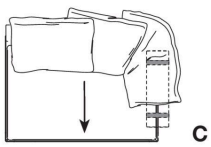
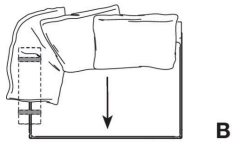
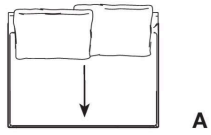
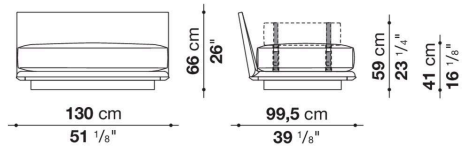
9N240



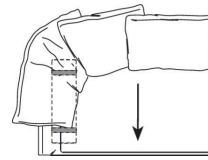
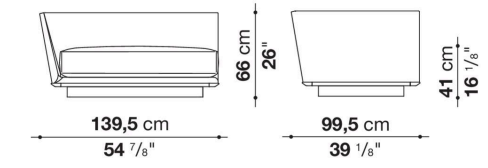
9N260



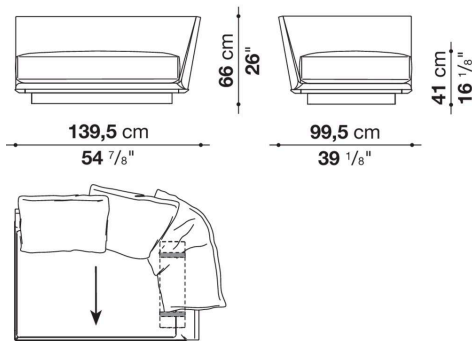
9N130C



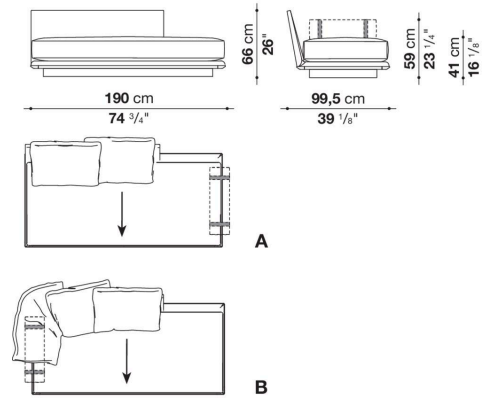
9N140S



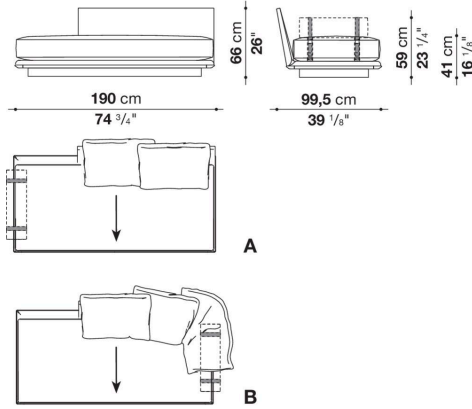
9N140D



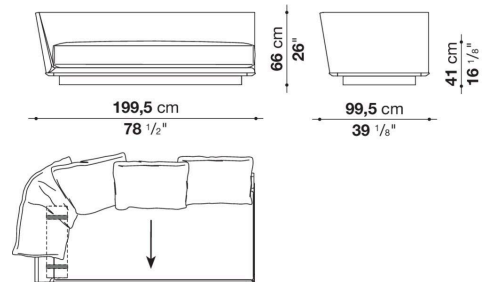
9N190S



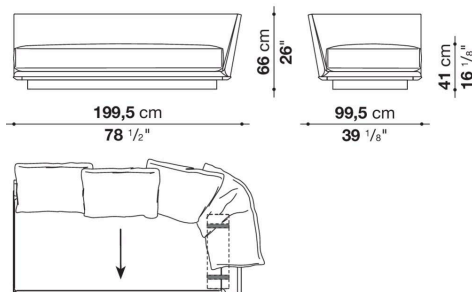
9N190D



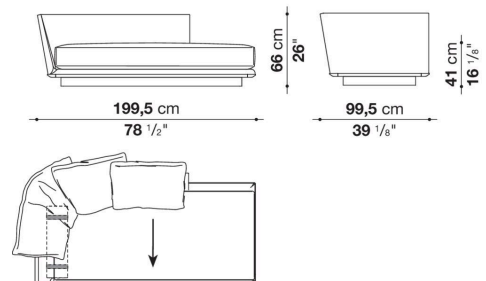
9N200S_1



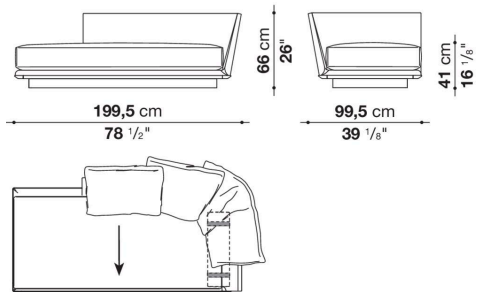
9N200D_1



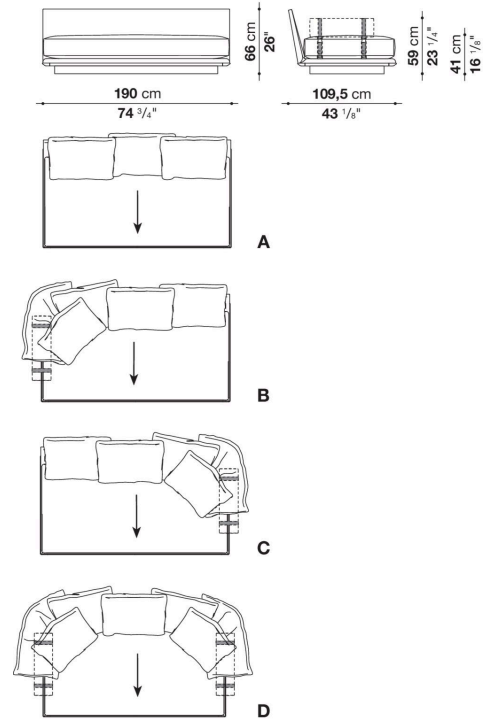
9N200S_2



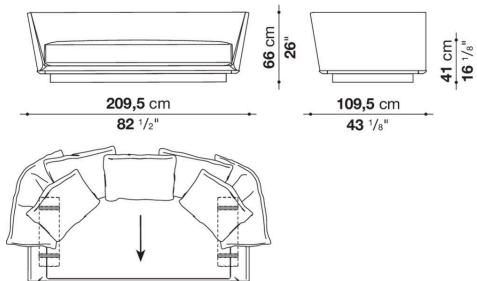
9N200D_2



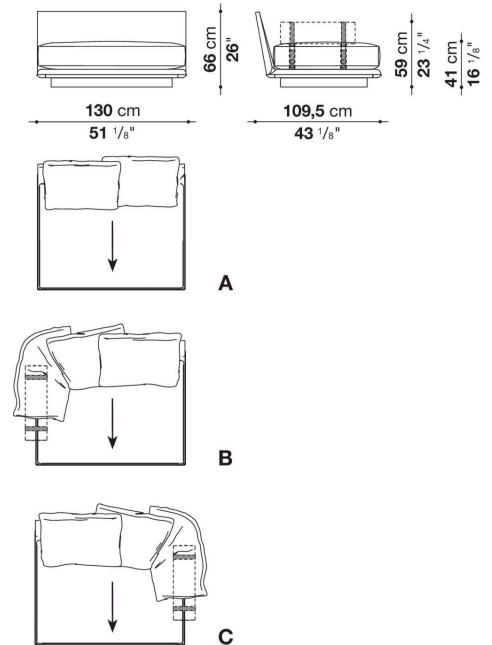
N190



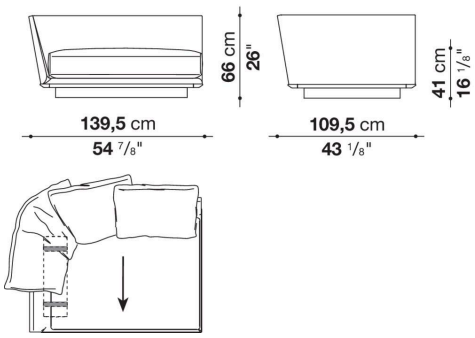
N210



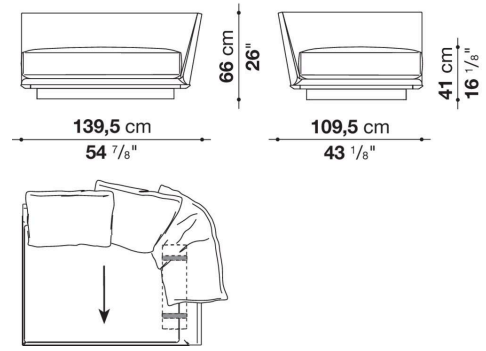
N130C



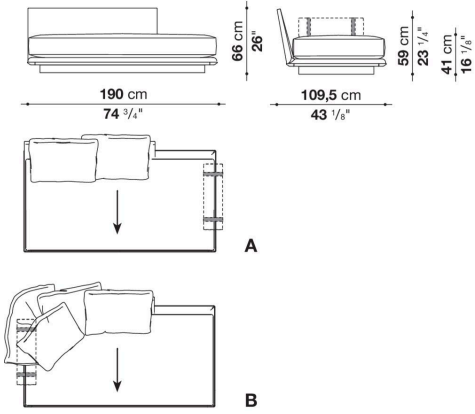
N140S



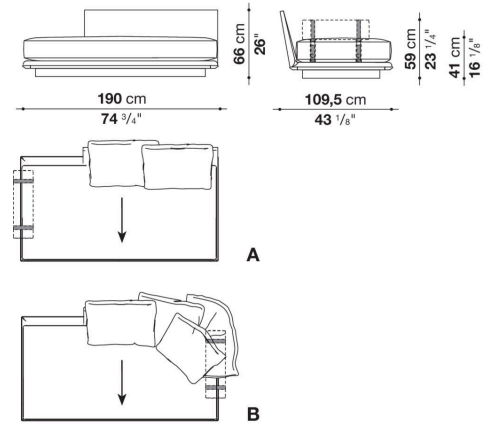
N140D



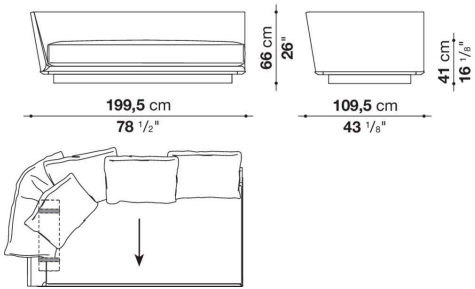
N190S



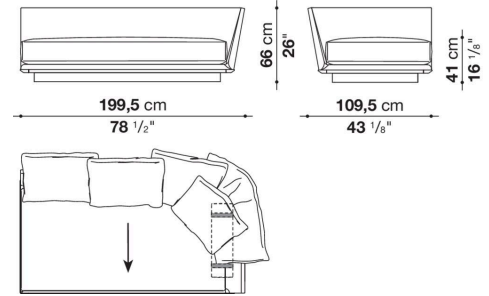
N190D



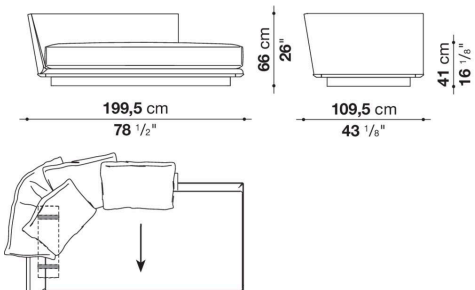
N200S_1



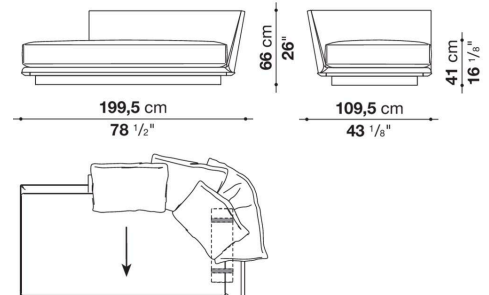
N200D_1



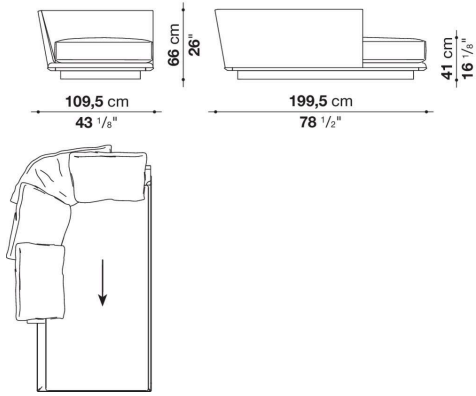
N200S_2



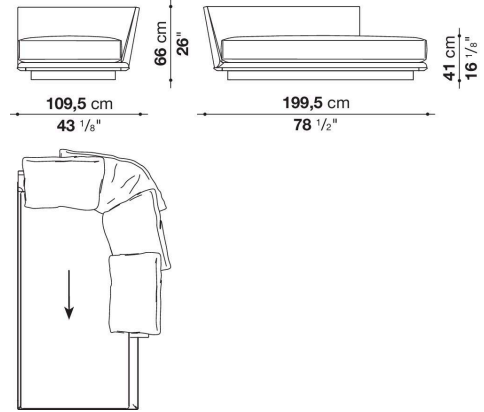
N200D_2



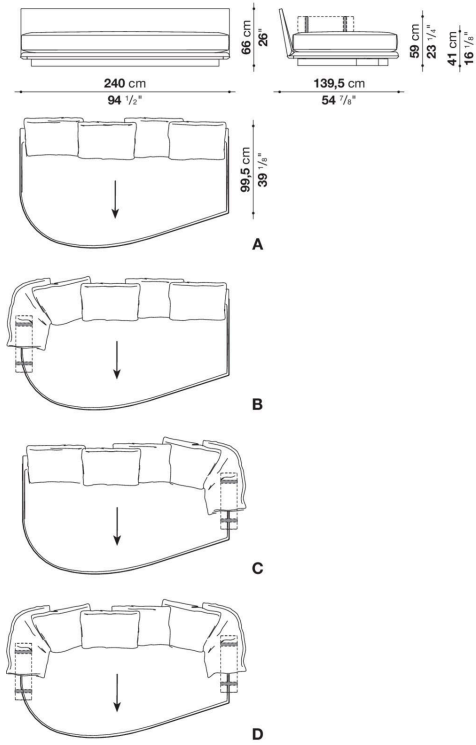
N200LS



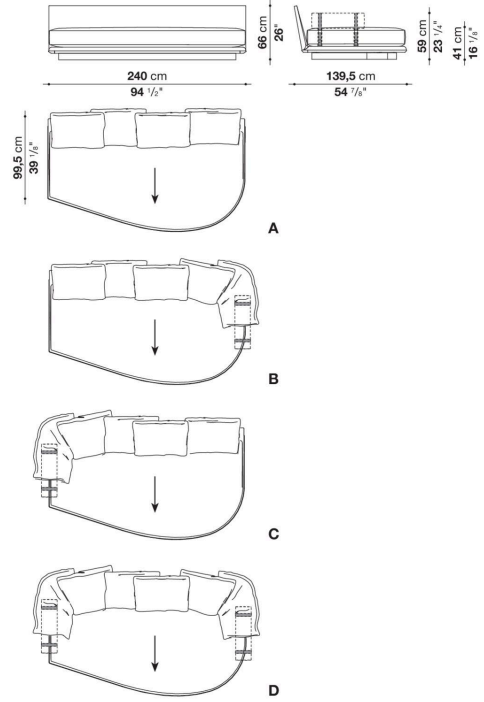
N200LD



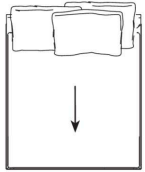
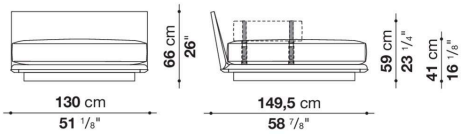
N240LS_2



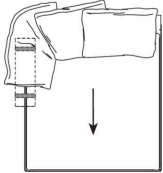
N240LD_2



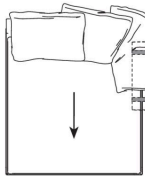
N130L



A

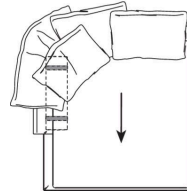
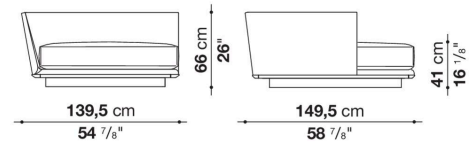


B

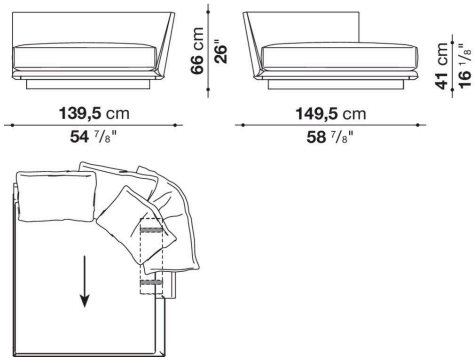


C

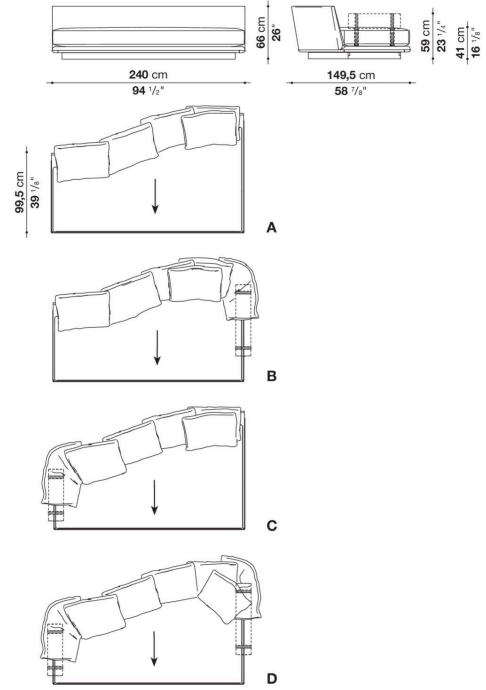
N140LS



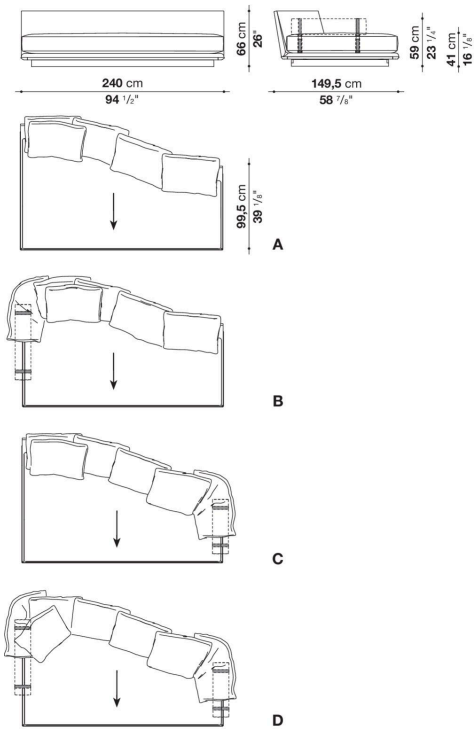
N140LD



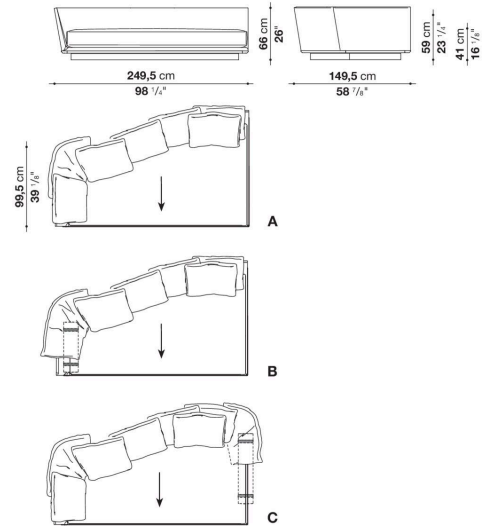
N240LS_1



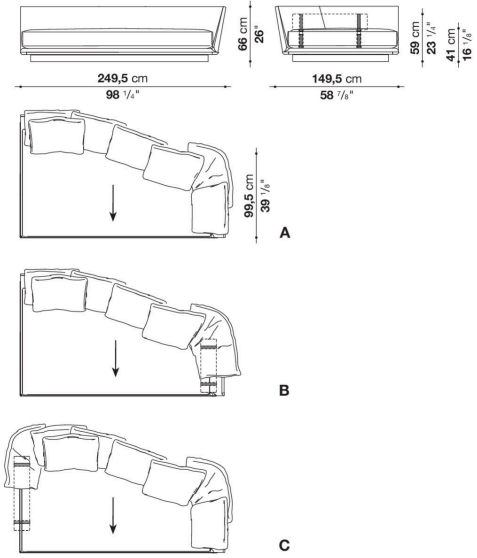
N240LD_1



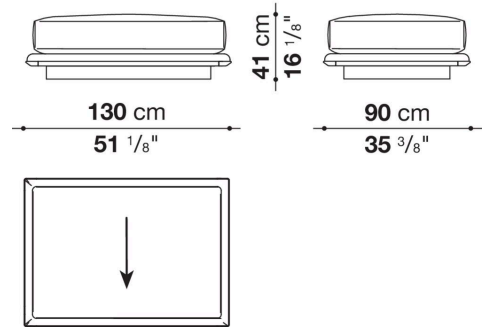
N250AS



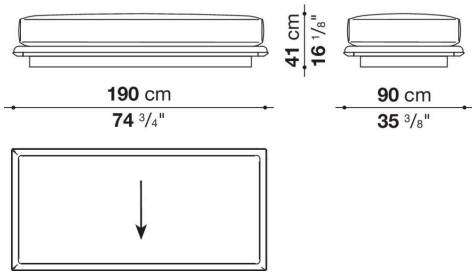
N250AD



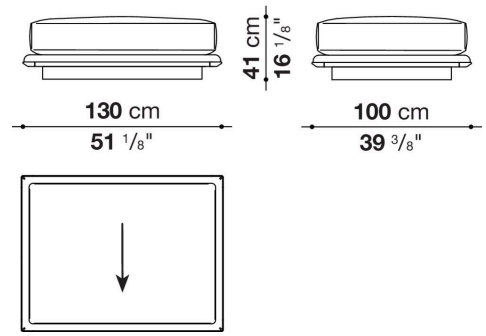
9N130P



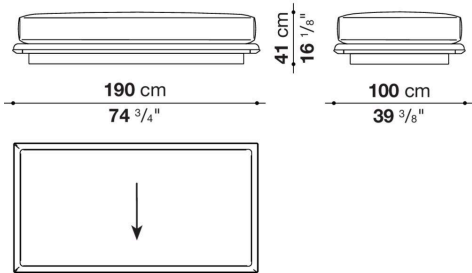
9N190P



N130P_1



N190P



N130P_2

