

Mirto Outdoor

COMPLEMENTI

2015

Antonio Citterio



Description

The Mirto Outdoor console, forming part of a complete collection of seats, tables and coffee tables, is characterised by a visually light frame and by a top in the same finish of the frame or in porcelain stoneware. Its elegant, clean design adapts to a variety of contexts and projects in terms of style and function.

Technical information

Frame

die-cast aluminium and extrusions with polyurethane painting

Top

aluminium sheet with polyurethane painting, porcelain stoneware or enamelled lava stone on aluminium top

Ferrules

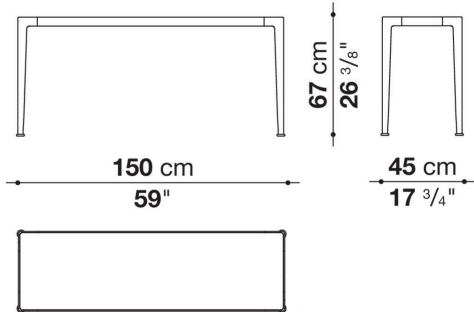
thermoplastic elastomer

Waterproof cover cloth

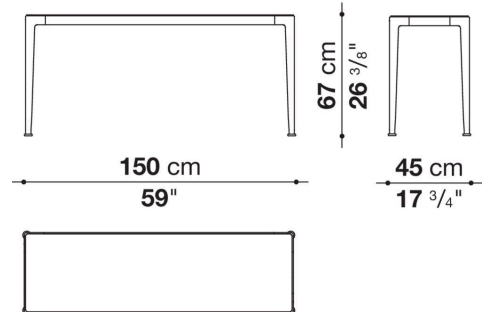
PES fabric coated on one side in PU

Technical drawings

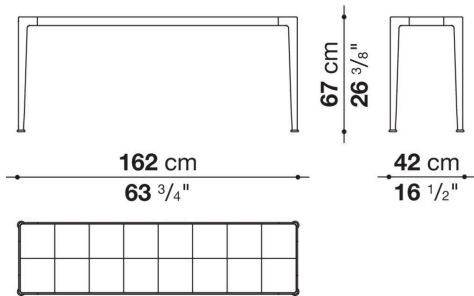
MI150_6



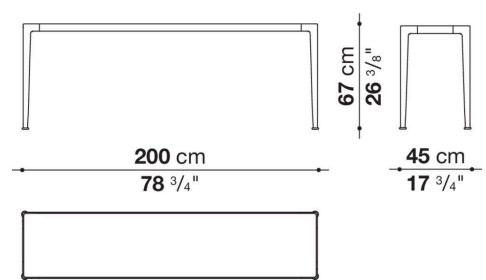
MI150_6G



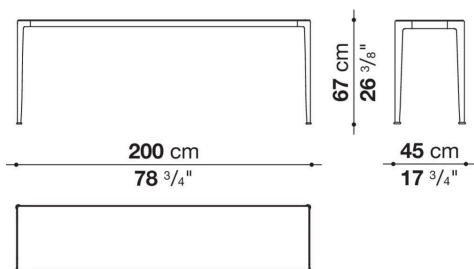
TMO162_6



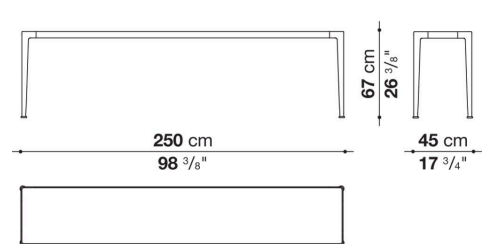
MI200_6



MI200_6G



MI250_6



MI250_6G

