

Bay

DIVANI

2018

Nipa Doshi & Jonathan Levien



Description

The Bay two- or three-seater outdoor sofa stands out for its sculptural, monolithic design. Enveloping double-braided volumes create air pockets that grant transparency and lightness to the collection, while padded rock-like seats and soft cushions reflect the elegance, comfort and refinement of indoor products.

Technical information

Internal frame

tubular steel and steel profiles

Back frame

aluminium

Upholstery

Bayfit® flexible cold shaped polyurethane foam, water repellent polyester fibre cover (with heat-sealed ribbon)

Back cushion

Solotex fibre and visco-elastic polyurethane combination, cover in water repellent polyester fibre

Interlacing

polypropylene fibre braid

Feet and ferrules

thermoplastic material

Waterproof cover cloth

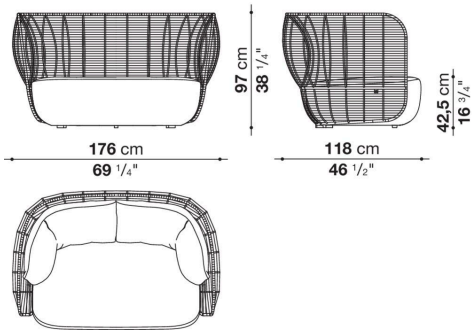
PES fabric coated on one side in PU

Cover

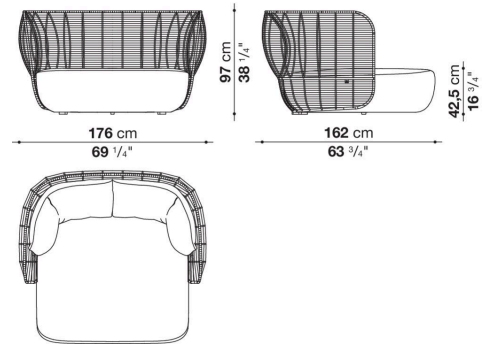
fabric in limited categories

Technical drawings

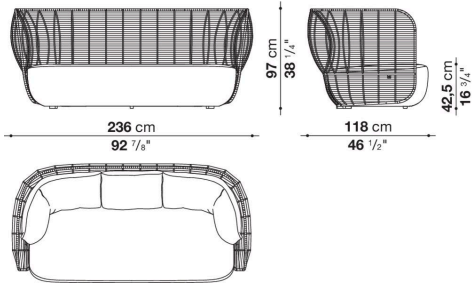
BY176



BY176CL



BY236



BY74PQ

