

Canasta

DIVANI

2007

Patricia Urquiola



Description

Vienna straw, with its geometric decorative pattern, is the inspiration behind Canasta. Enlarged to macro proportions, the design is applied to chairs with a striking effect. The sofas, available in circular and in-line versions, are characterised by ribbons in polyethylene fibre woven on aluminium frames painted with polyester powder to make them weather resistant. Classic in style but with a contemporary sense of plasticity, Canasta is a hyper-decorative collection, ideal for use at the edge of a swimming pool or in a luxuriant garden. In addition to sofas, the family also includes armchairs and small tables in various sizes.

Technical information

Frame

aluminium or steel with polyester powder painting

Interlacing

polyethylene fibre

Seat cushion (CN190B-CN226B)

shaped polyurethane, cover in water repellent polyester fibre (with heat-sealed ribbon)

Seat cushion (CN160P1)

shaped polyurethane, cover in water repellent polyester fibre

Back cushion

polyester fibre, cover in water repellent polyester fibre

Canopy frame (CN160P1C)

glass fibre

Canopy mechanism (CN160P1C)

electro polished steel, anodized aluminium

Canopy cover (CN160P1C)

Batik fabric

Wheels (CN160P1W)

plastic material, elastomeric polyurethane, electro polished stainless steel pin

Ferrules

thermoplastic material

Waterproof cover cloth

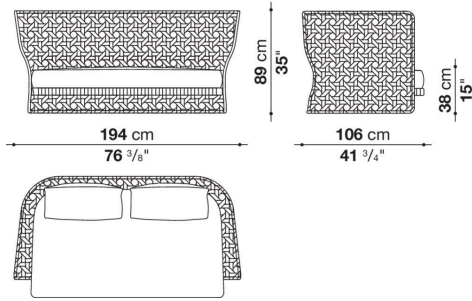
PES fabric coated on one side in PU

Cover

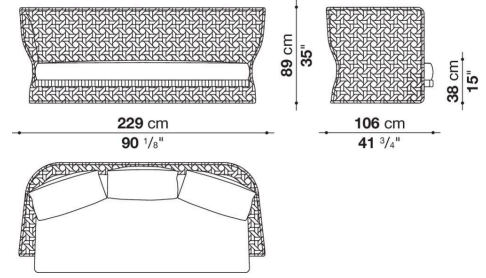
fabric in limited categories

Technical drawings

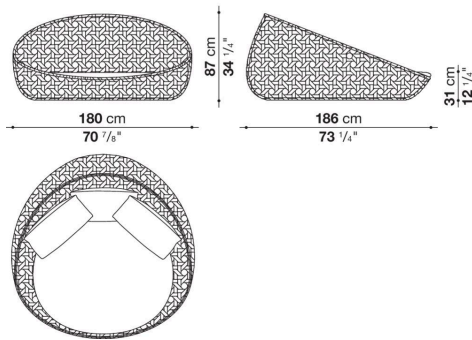
CN190B



CN226B



CN160P1



**CN160P1
CN160P1W
CN160P1C**

