

Canasta

POLTRONE

2007

Patricia Urquiola



Description

Vienna straw, with its geometric decorative pattern, is the inspiration behind Canasta, the Spanish term for basket. Enlarged to macro proportions, the design is applied to armchairs with a striking effect, available with a high or low backrest. Both are characterised by polyethylene fibre ribbons woven onto a powder-coated aluminium frame. Classic in style but with a contemporary sense of plasticity, Canasta is a hyper-decorative collection, ideal for use at the edge of a swimming pool or in a luxuriant garden. In addition to armchairs, the family also includes sofas, tables, small tables, and other furnishings.

Technical information

Frame

aluminium or steel with polyester powder painting

Interlacing

polyethylene fibre

Seat cushion

shaped polyurethane, cover in water repellent polyester fibre (with heat-sealed ribbon)

Back cushion

polyester fibre, cover in water repellent polyester fibre

Ferrules

thermoplastic material

Waterproof cover cloth

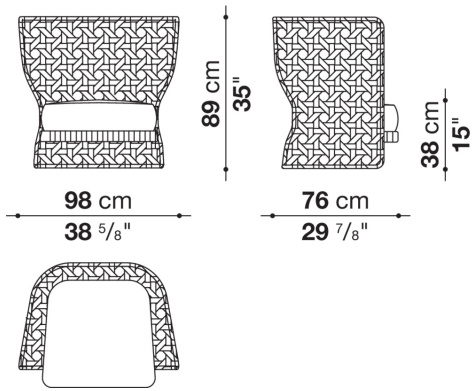
PES fabric coated on one side in PU

Cover

fabric in limited categories

Technical drawings

CN98PB



CN98PA

