

Canasta '13

POLTRONE

2013

Patricia Urquiola



Description

Canasta '13 is a family of seats that preserves the iconic design of the Canasta series while donning a new look to blend even more with the external environment. The armchairs, sofas and small tables making up the series are characterised by a light interlacing of mélange polyethylene yarn which lets the light shine through. The armchairs come with a high or low backrest with coverings to be chosen among a wide range of proposals.

Technical information

Frame

aluminium or steel with polyester powder painting

Interlacing

polyethylene fibre

Seat cushion

shaped polyurethane, cover in water repellent polyester fibre (with heat-sealed ribbon)

Back cushion

polyester fibre, cover in water repellent polyester fibre

Ferrules

thermoplastic material

Waterproof cover cloth

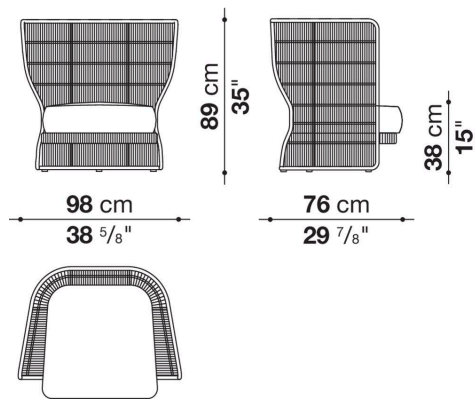
PES fabric coated on one side in PU

Cover

fabric in limited categories

Technical drawings

CNC98PB



CNC98PA

