

Ray Outdoor Fabric

DIVANI

2017

Antonio Citterio



Description

After its success indoors, the Ray seating system now includes the Ray Outdoor Fabric version featuring an interlacing ribbon pattern, created using polypropylene fibre resistant to UV rays and weathering. The range of colours is particularly suitable for outdoor environments. The seating system includes sofas available in two depths, modular elements, an armchair and a lounger with wheels.

Technical information

Internal frame

tubular aluminium and aluminium profiles with polyester powder painting

Upholstery

shaped polyurethane, Solotex fibre and visco-elastic polyurethane combination, cover in water repellent polyester fibre

Back cushion

polyester fibre, cover in water repellent polyester fibre

Interlacing

polypropylene fibre braid

Feet

die-cast aluminium and extrusions with polyester powder painting

Ferrules

thermoplastic material

Waterproof cover cloth

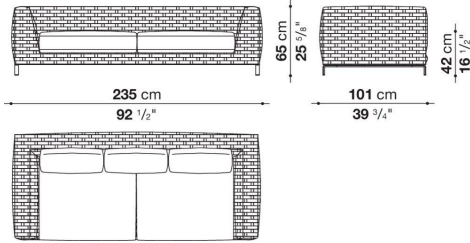
PES fabric coated on one side in PU

Cover

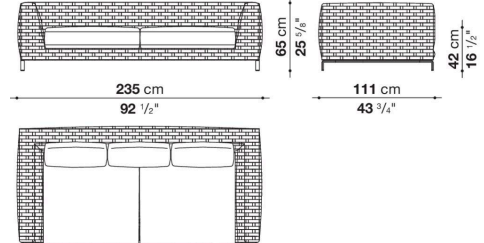
fabric in limited categories

Technical drawings

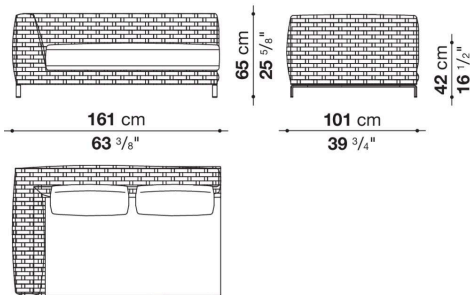
RF235



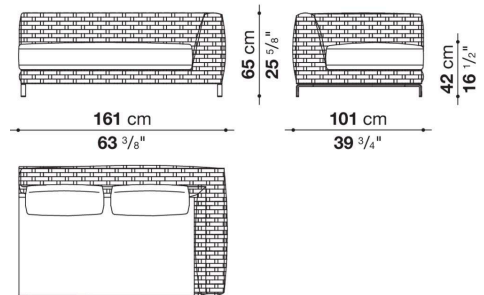
RFL235



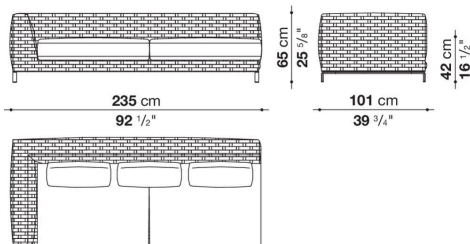
RF161S



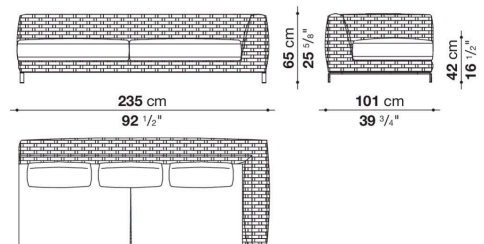
RF161D



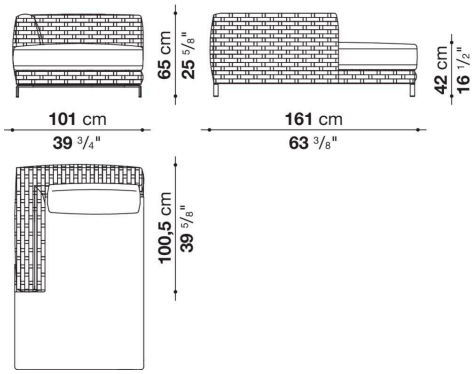
RF235S



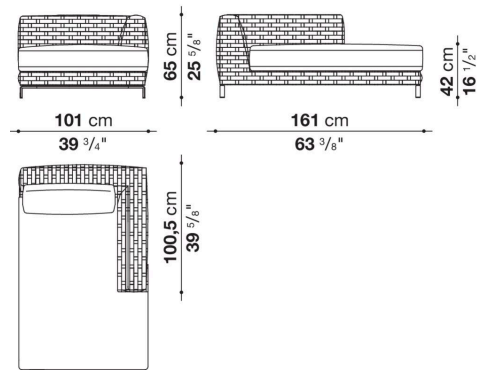
RF235D



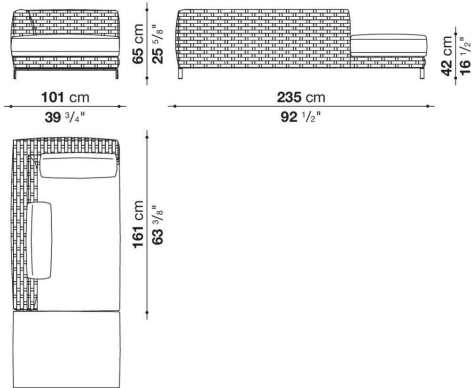
RF161LS



RF161LD



RF235LS



RF235LD

