

Mirto Indoor

COMPLEMENTI

2016

Antonio Citterio



Description

The console of the Mirto Indoor series stands out for its austere design, reduced thicknesses, precise details and a wide range of materials and finishes. The tops come in several versions: glass, marble, different coloured woods that match the painted die-cast aluminium frame.

Technical information

Frame

die-cast aluminium and aluminium extrusions

Top

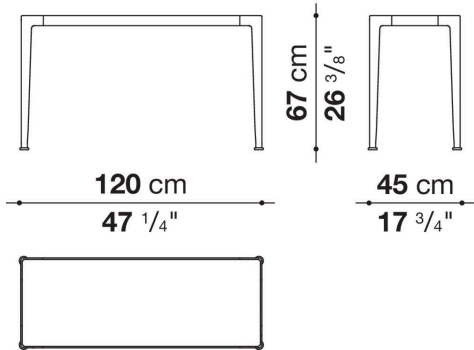
veneered MDF wood fibre panel, glass or marble (matt polyester finish or glossy polyester finish)

Ferrules

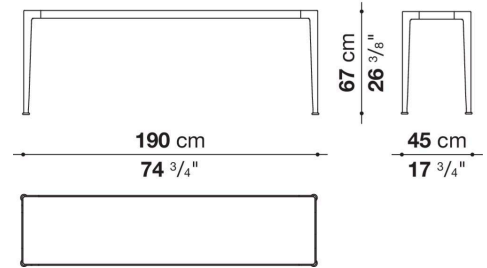
thermoplastic elastomer

Technical drawings

IMT120_6



IMT190_6



IMT240_6

