

Diesis

DIVANI

1979

Antonio Citterio Paolo Nava



Description

Technology, elegance, ergonomics and comfort. An absolute icon of the modern furniture tradition, combining innovative technology and sophisticated craftsmanship, the Diesis sofa has become an essential element in the history of design. The precisely defined metal load-bearing structure combines with the seat, back and armrests in the shape of soft padded cushions covered in fabric or leather. Other details, such as the comb-shaped back in harmonic steel covered in thick leather, the cast brass parts and the leather, which is micro-perforated for aeration, have all become characteristic decorative elements denoting the careful attention dedicated to this product and its strong personality. Its utmost elegance even when seen from the back, with its thick leather upholstered backrest, means it can be placed at the centre of the room. Distinctive features and technological materials make Diesis a long-lasting product that meets the most sophisticated international taste. Comfort is guaranteed by soft padding.

Technical information

Frame

steel sheet and steel profiles, shaped polyurethane covered in thick leather

Seat cushion upholstery

shaped polyurethane of different density, memory foam visco-elastic polyurethane, sterilized down, polyurethane inserts, polyester fibre cover

Back cushion upholstery

shaped polyurethane, sterilized down

Armrest cushion upholstery

sterilized down

Support frame and feet

die-cast aluminium and tubular steel

Ferrules

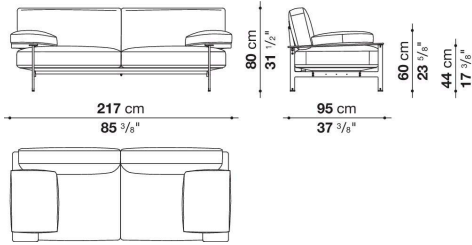
plastic material

Cover

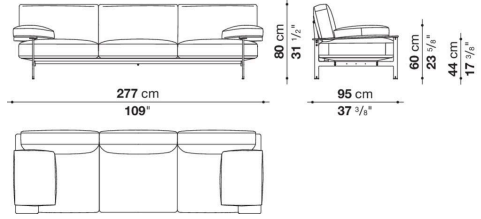
fabric or leather

Technical drawings

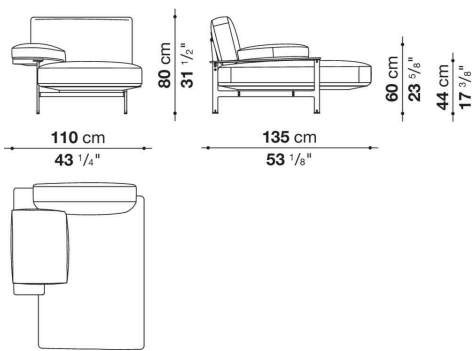
DS217N



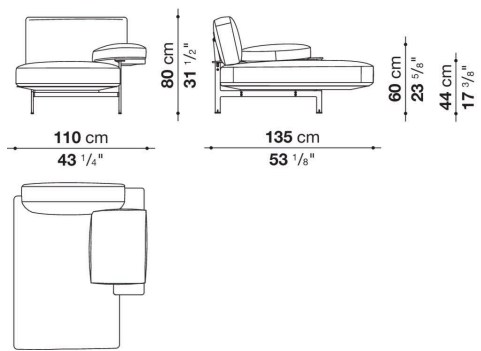
DS277N



DS135LSN



DS135LDN



DS203PN

