

Button Tables

TAVOLINI

2014

Edward Barber & Jay Osgerby



Description

Multipurpose tables with lacquered cylindrical bases that taper in slightly at the bottom smoothing out their geometry. There are two oval variants accompanied by a third with a round shape. All have a marble top with a raised edge resembling a tray. A formal exercise is created through the combination of different materials, the contrast between the hardness of marble, soft design and minimal details giving the illusion of imperceptible movements of form.

Technical information

Top

marble (matt polyester finish)

Frame

polyethylene tubular

Brace

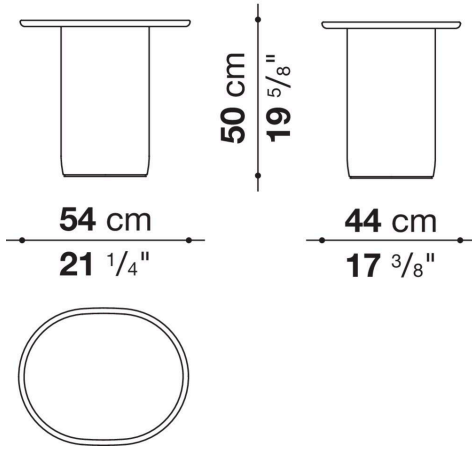
steel

Base-frame

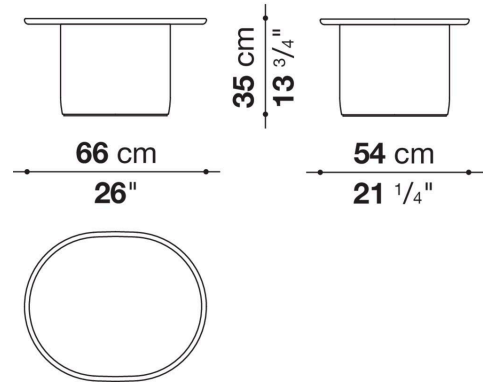
laminated MDF wood fibre panel

Technical drawings

TB54



TB66



TB80R

