

# B&B Atoll

DIVANI

2018

Antonio Citterio



## Description

Named after the coral formation, the modular sofa system B&B Atoll is a refined expression of a balanced aesthetic form and a decisive contemporary style that is also extremely elegant. The system is built on three basic platforms that are complemented by armrest and backrest elements to form various types of seats: sofas, dormeuses, corner-end modules, single or modular elements with chaise longue and ottomans. The frames have light, slender lines and are applied on high die-cast supports with metal profile emphasising the line between the structure and upholstery. The pieces are given even more character by a supporting element to be placed wherever desired, a bolster in two sizes attached by leather straps to a die-cast structure. This accessory can be inserted between the seat cushion and the base structure to provide an additional support or become an armrest or backrest at will. B&B Atoll is a dynamic project with a constantly fresh ability to adapt to different compositions and create different seating types, from informal relax versions to most formal, also made possible by the use of complementary back cushions. The height of the feet from ground is 20,5 cm (8 1/8").

# Technical information

---

**Internal frame**

tubular steel and steel profiles

**Internal frame upholstery**

flexible cold shaped polyurethane foam, polyester fibre cover

**Seat cushion**

shaped polyurethane of different density, sterilized down, polyester fibre cover

**Back cushion**

shaped polyurethane, sterilized down

**Lumbar cushion (AT45\_40)**

down feather, box style typology

**Roller**

shaped polyurethane, polyester fibre cover

**Roller support**

die-cast aluminium

**Roller webbing**

fabric or leather

**Support frame**

die-cast aluminium

**Ferrules**

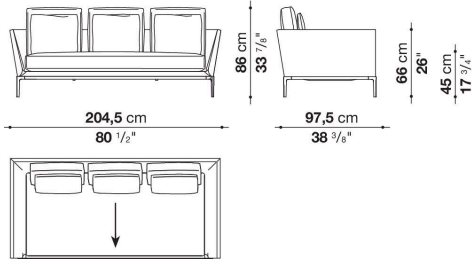
plastic material

**Cover**

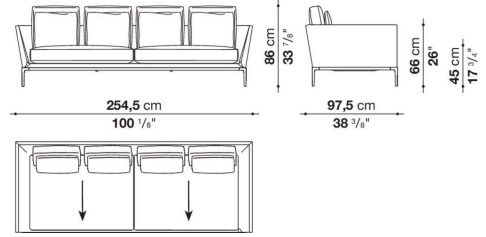
fabric or leather

# Technical drawings

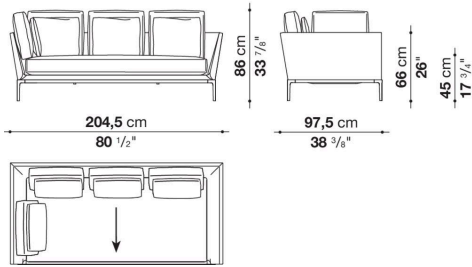
AT205



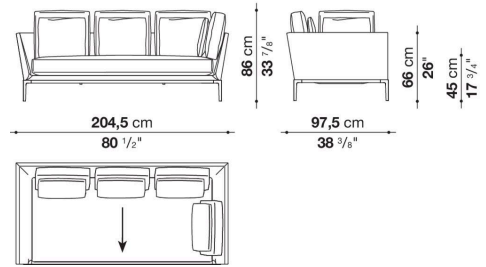
AT255



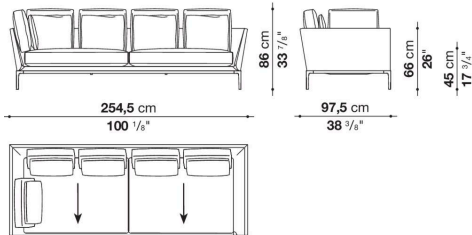
AT205AS



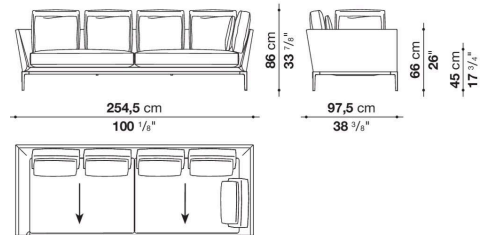
AT205AD



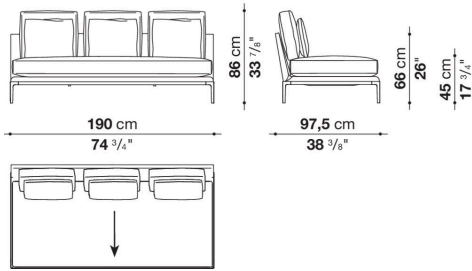
AT255AS



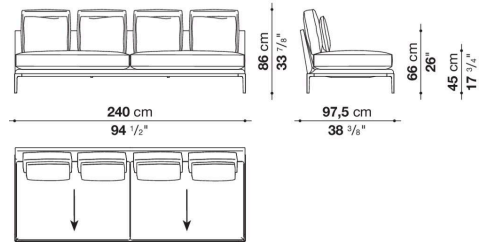
AT255AD



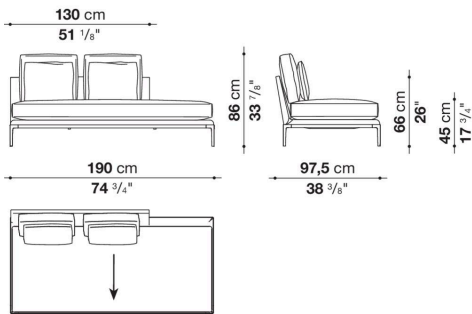
**AT190C**



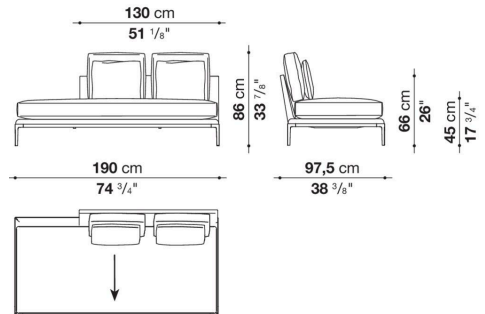
**AT240C**



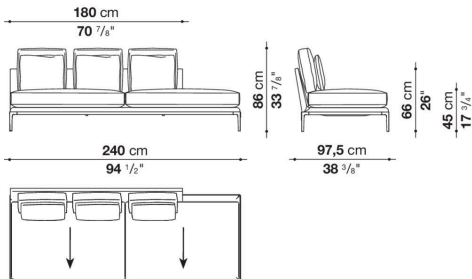
**AT190PS**



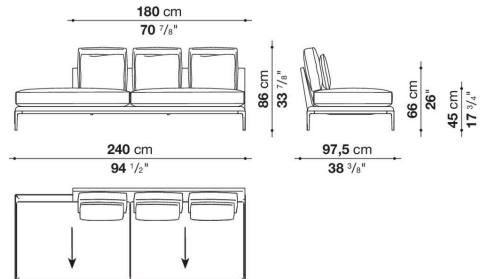
**AT190PD**



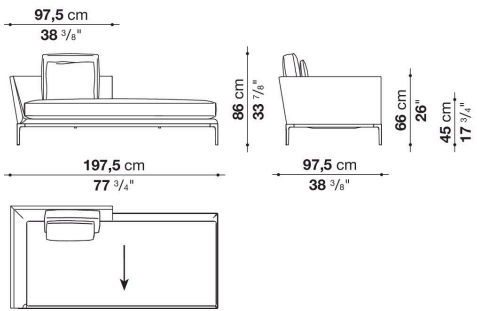
**AT240PS**



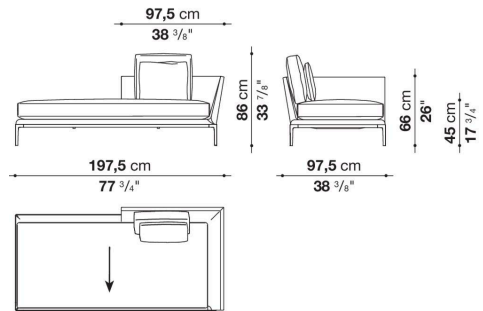
**AT240PD**



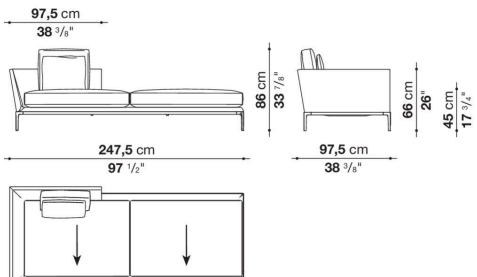
AT198S\_1



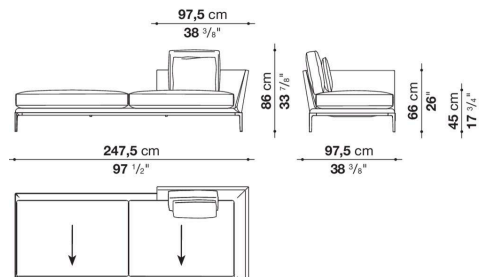
AT198D\_1



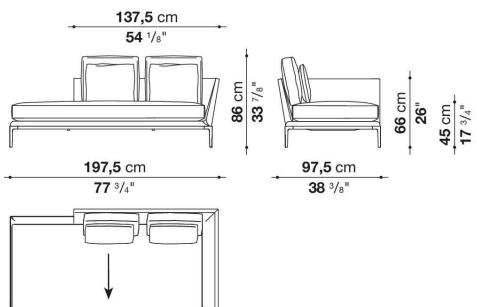
AT248S\_1



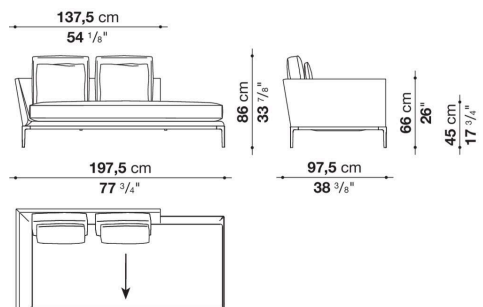
AT248D\_1



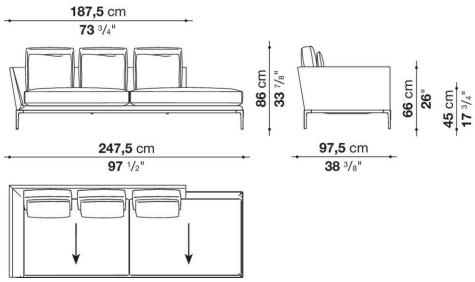
AT198D\_2



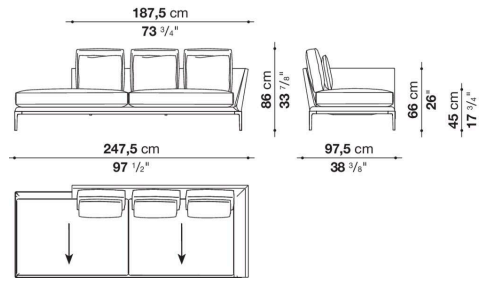
AT198S\_2



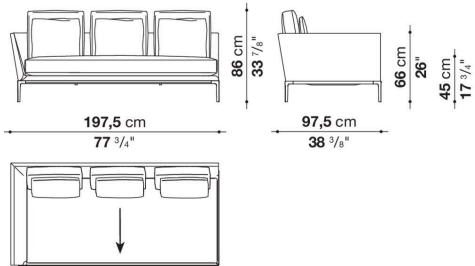
AT248S\_2



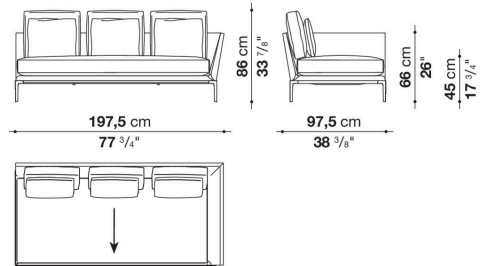
AT248D\_2



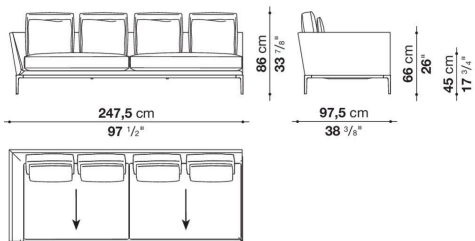
AT198S\_3



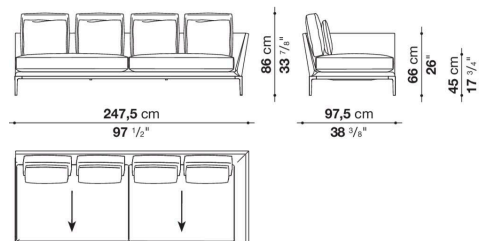
AT198D\_3



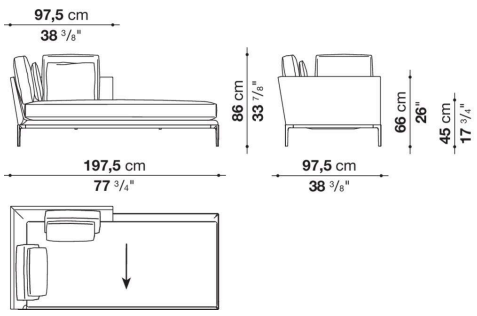
AT248S\_3



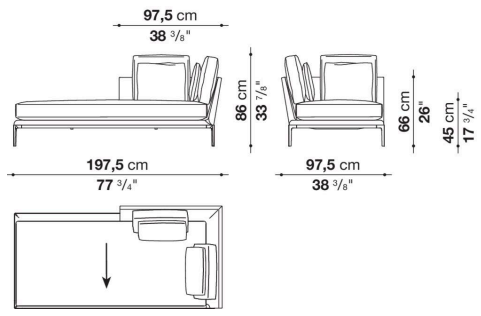
AT248D\_3



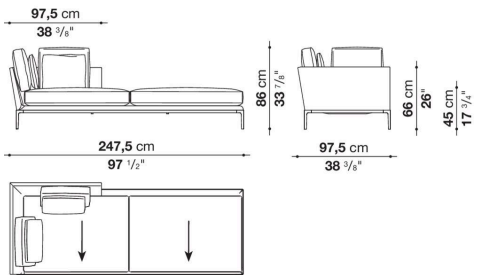
AT198TAS\_1



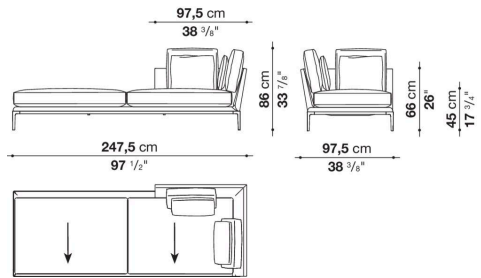
AT198TAD\_1



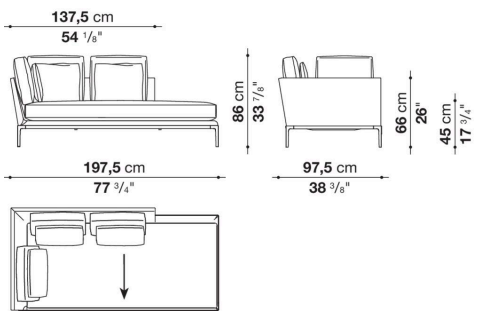
AT248TAS\_1



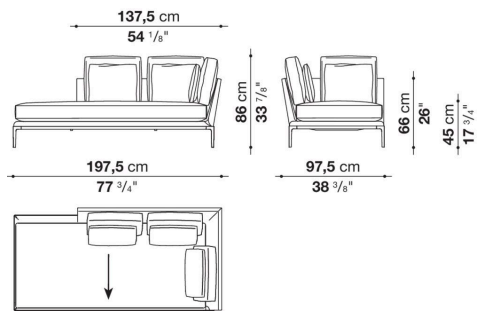
AT248TAD\_1



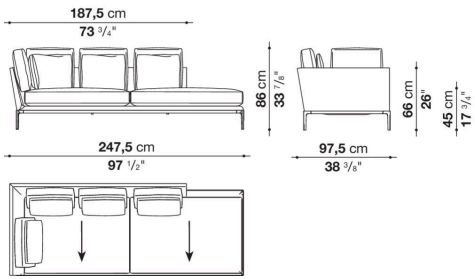
AT198TAS\_2



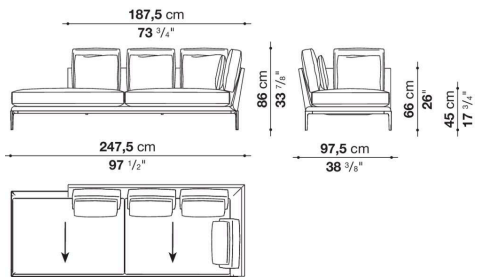
AT198TAD\_2



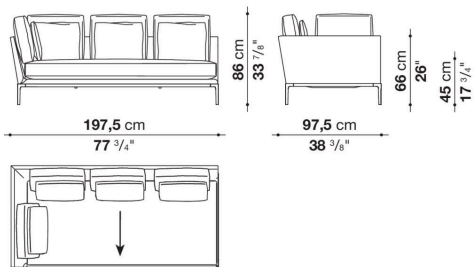
AT248TAS\_2



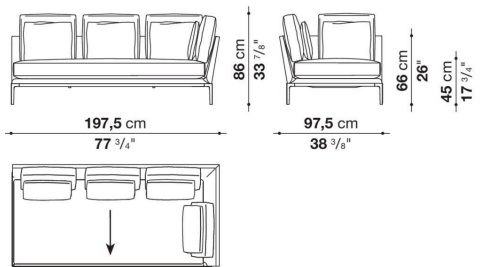
AT248TAD\_2



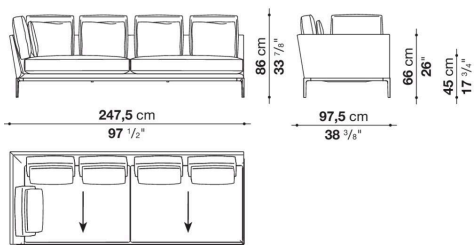
AT198TAS\_3



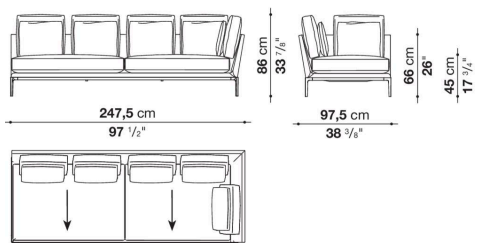
AT198TAD\_3



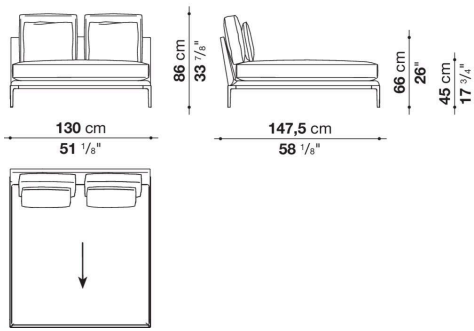
AT248TAS\_3



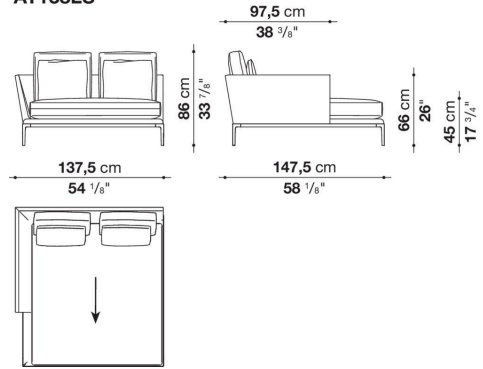
AT248TAD\_3



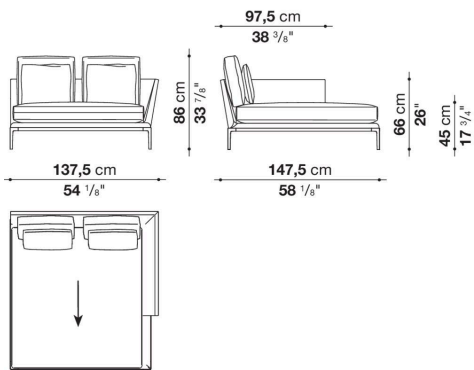
**AT130L**



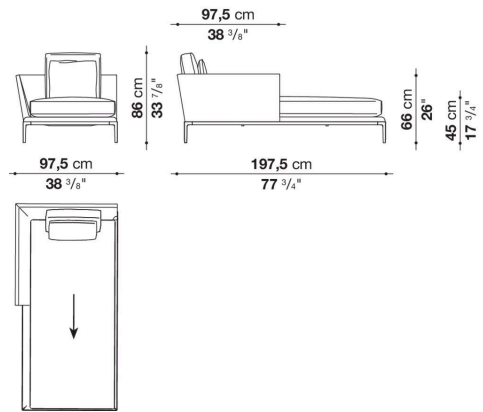
**AT138LS**



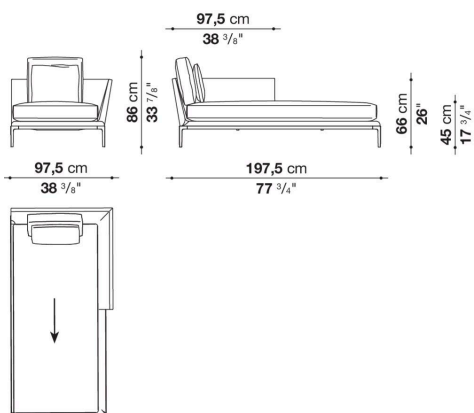
**AT138LD**



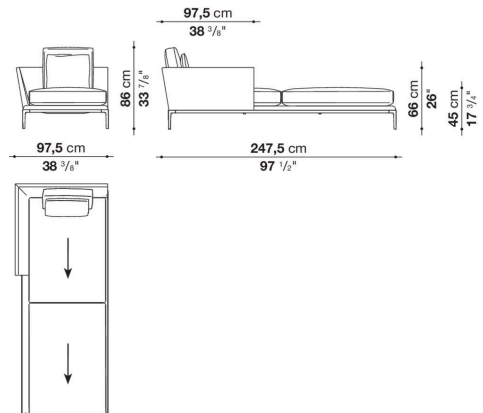
**AT198LS\_1**



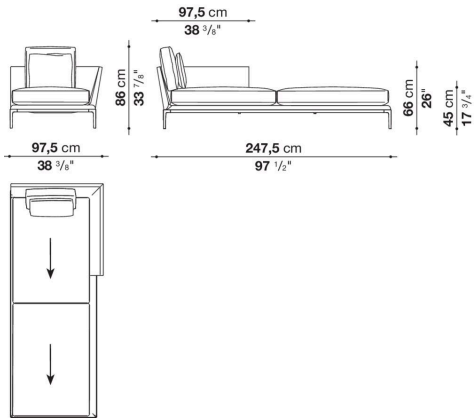
**AT198LD\_1**



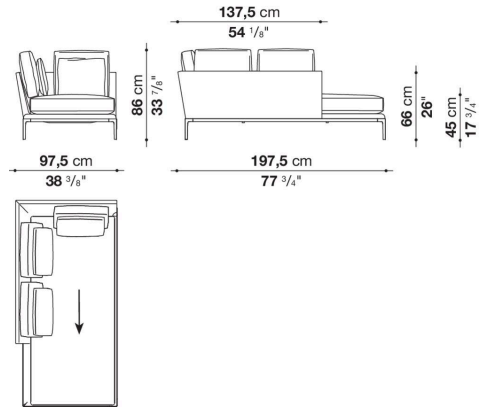
**AT248LS\_1**



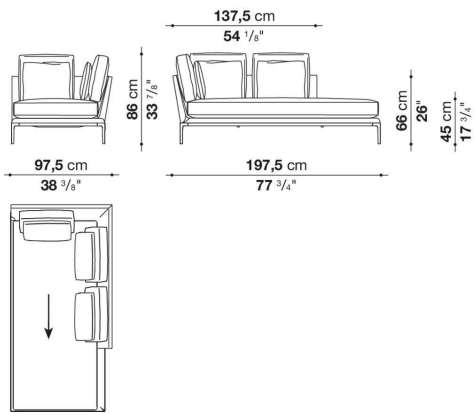
AT248LD\_1



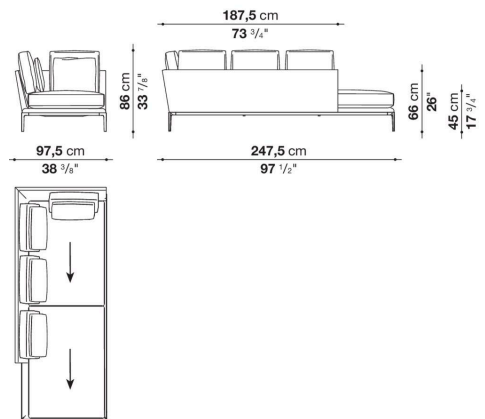
AT198LS\_2



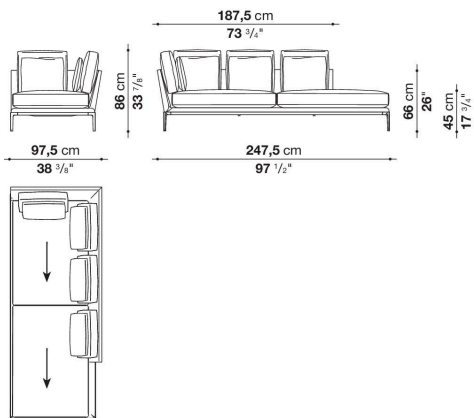
AT198LD\_2



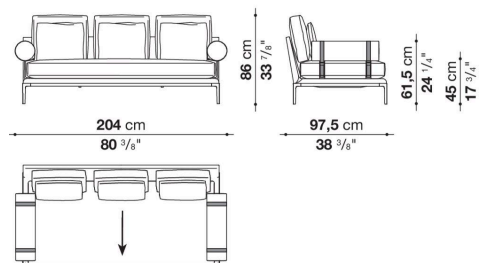
AT248LS\_2



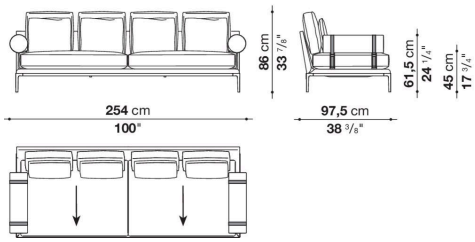
AT248LD\_2



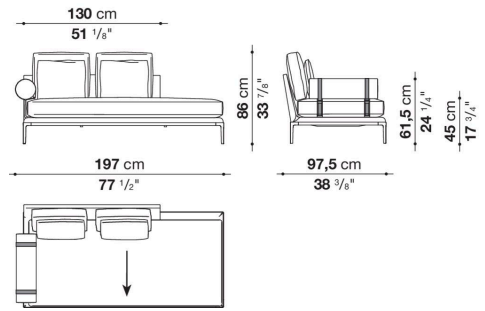
ATR204



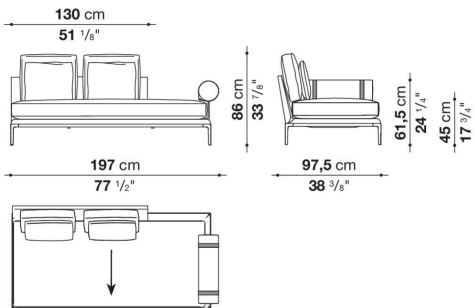
ATR254



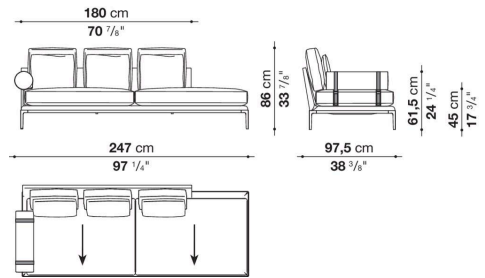
ATR197S\_1



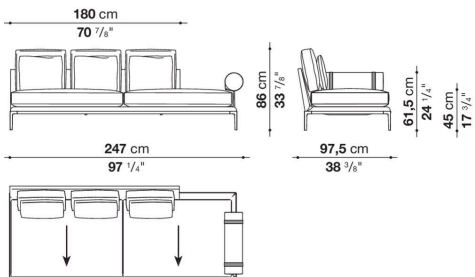
ATR197D\_1



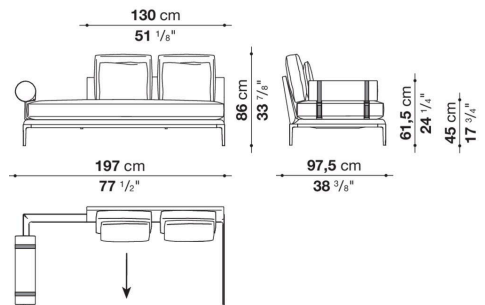
ATR247S\_1



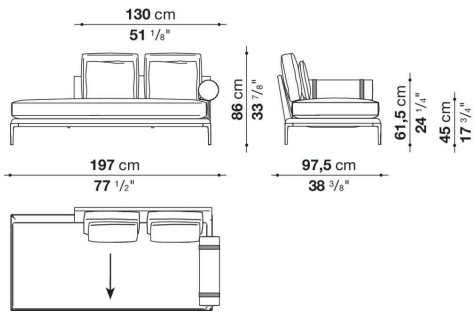
ATR247D\_1



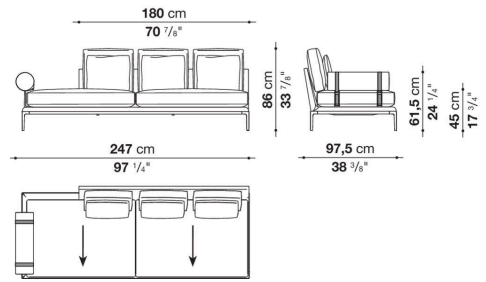
ATR197S\_2



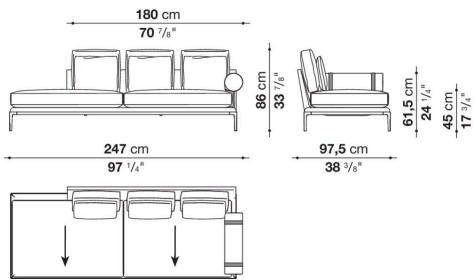
ATR197D\_2



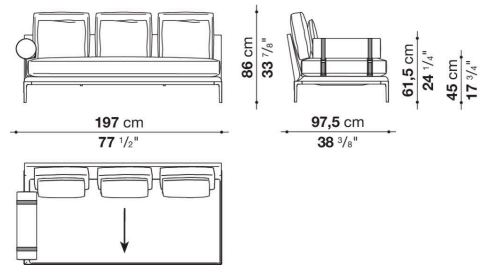
ATR247S\_2



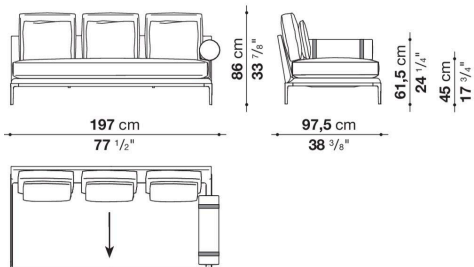
ATR247D\_2



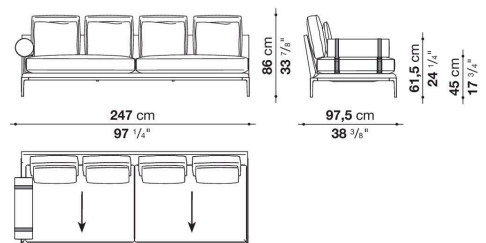
ATR197S\_3



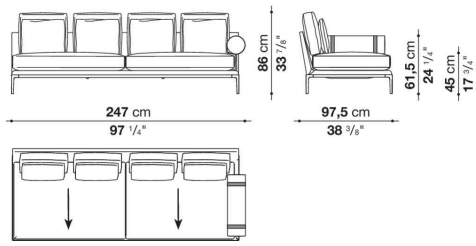
ATR197D\_3



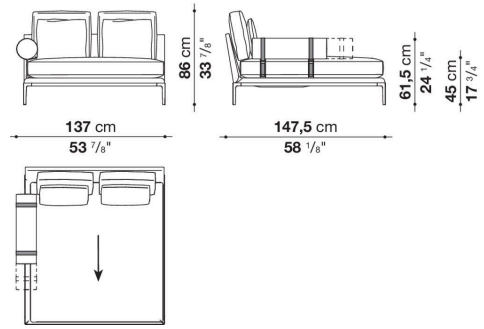
ATR247S\_3



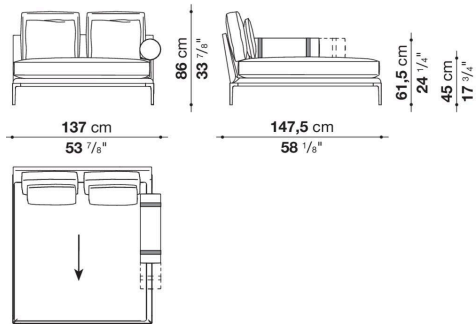
**ATR247D\_3**



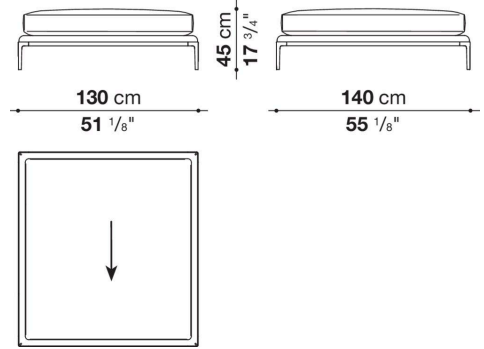
**ATR137LS**



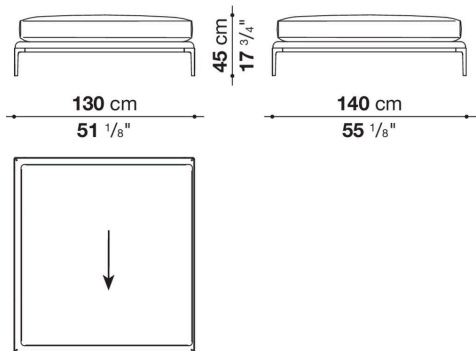
**ATR137LD**



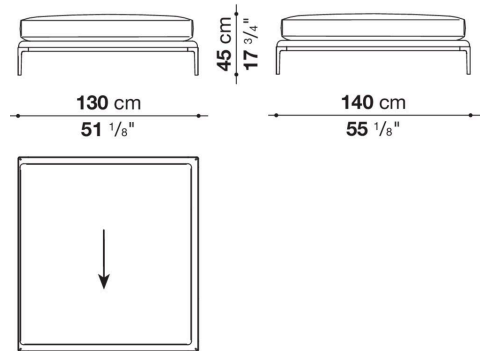
**ATR130P**



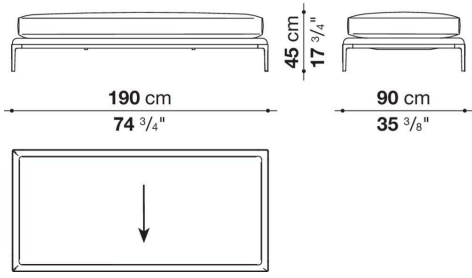
**ATR130PS**



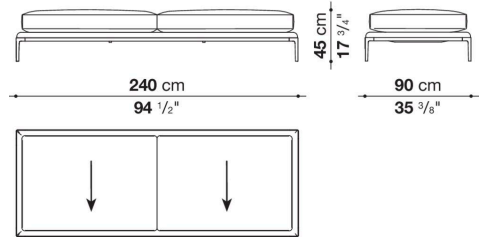
**ATR130PD**



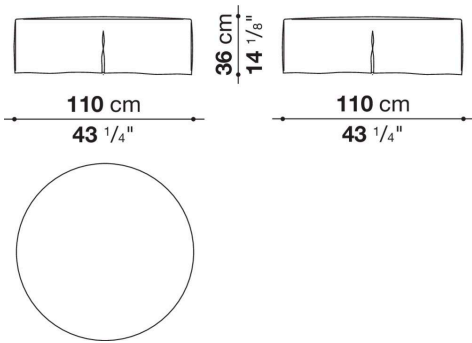
**ATR190P**



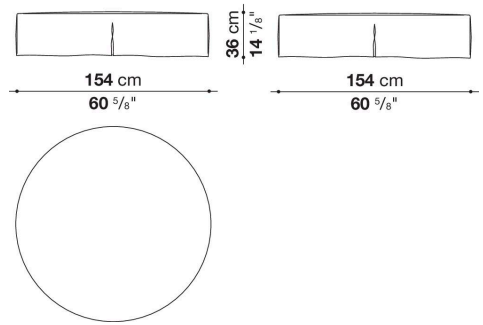
**ATR240P**



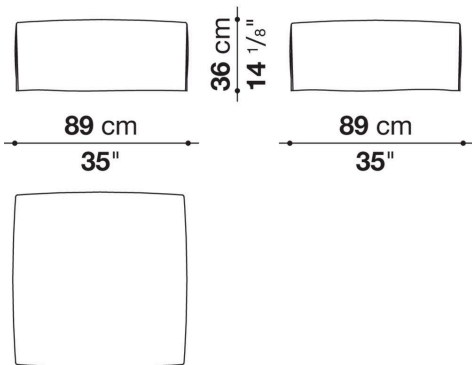
**AT110DPF**



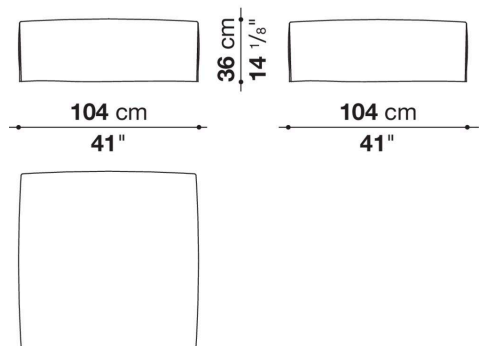
**AT154DPF**



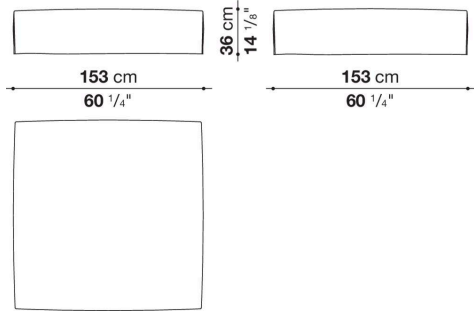
**AT89PQF**



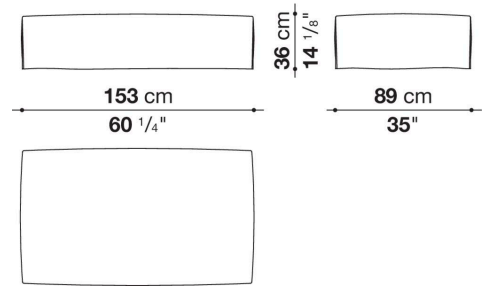
**AT104PQF**



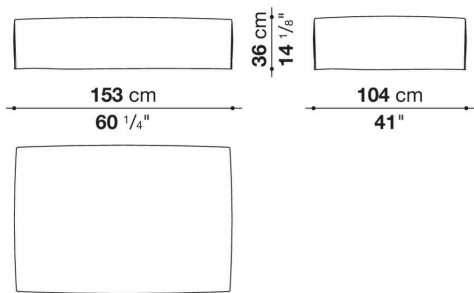
### AT153PQF



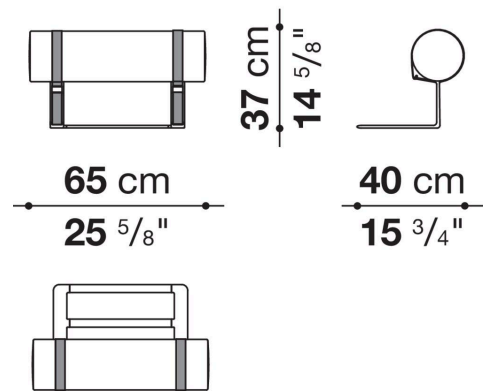
### AT153PF\_1



### AT153PF\_2



### AT65CP



### AT90CP

