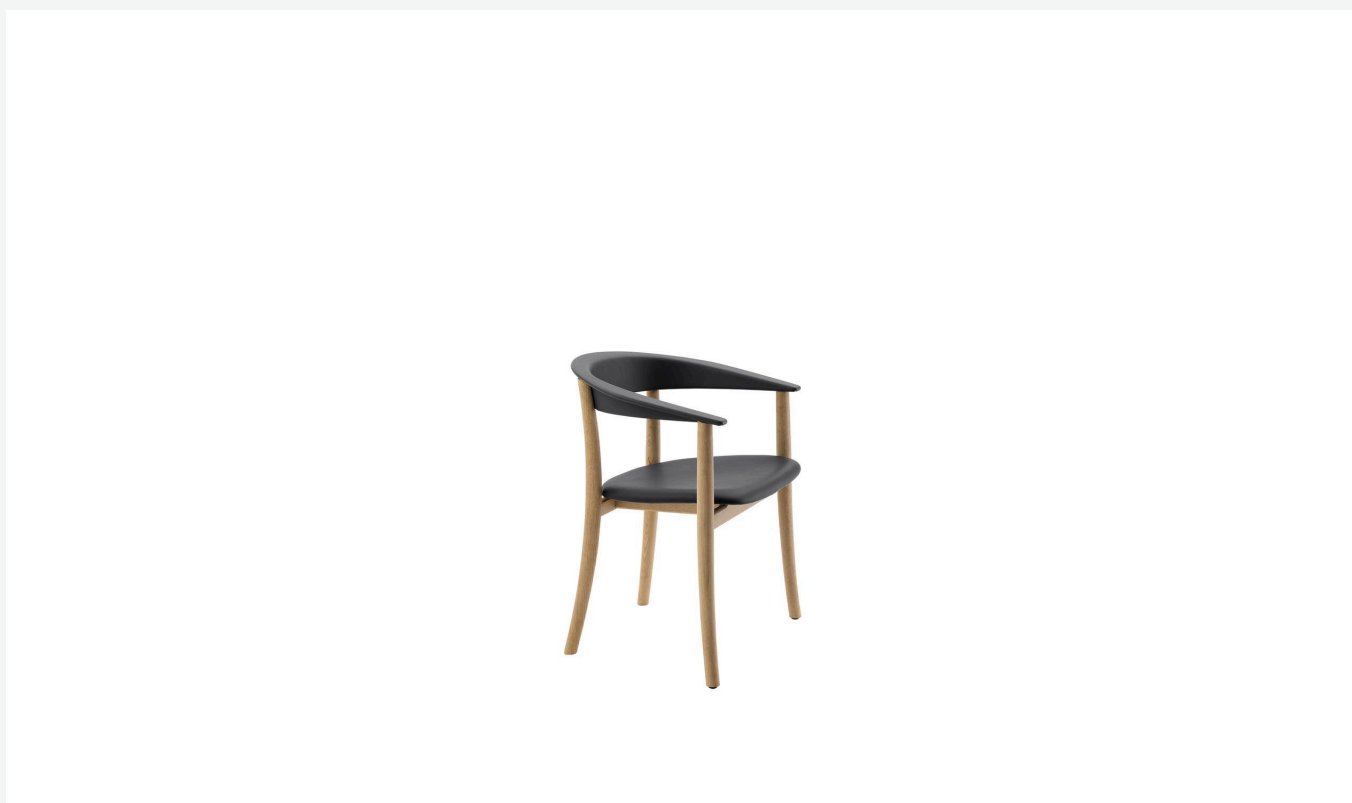


# Belle

SEDIE

2018

Naoto Fukasawa



## Description

---

The Belle wooden chair stands out for its rounded lines and leather upholstered seat. The round section legs are given a classical feel by curving slightly outwards in the lower part. Towards the top they join up with the backrest to create elegant, elbow-shaped armrests. The backrest comes in two versions: in wood, in the same finishes as the frame, or upholstered in leather to match the seat. With a clever play of literary and stylistic references, the Belle chair is the delicate, feminine counterpart to the Bull table, but can easily be combined with other models as well.

## Technical information

---

**Frame**

solid wood

**Back**

hard polyurethane or solid wood

**Seat**

veneered multi-layered wood panel

**Seat upholstery**

Bayfit® flexible cold shaped polyurethane foam

**Ferrules**

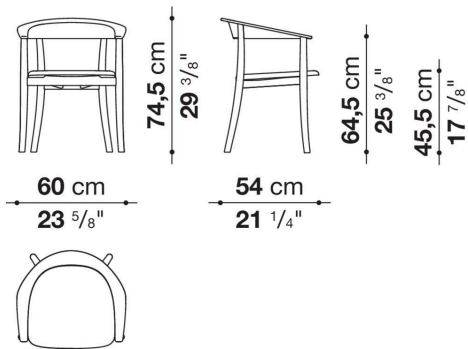
plastic material

**Cover**

Gamma leather

# Technical drawings

**SB60**



**SB60L**

