

Bend-Sofa

DIVANI

2010

Patricia Urquiola



Description

Bend-Sofa is a modular sofa with a great personality. It seems to have been moulded by an artist's hand, but actually originates from the study of 3D models and digital research. Its irregular shape enhances comfort. The very name Bend-Sofa effectively expresses the idea of movement obtained by the alternation of solids and voids, underlined by the contrasting stitching that gives rise to a further design on its irregular and sinuous surface. The corrugated modules, assembled starting from seat, ottoman and corner elements, develop a large number of configurations, from linear versions in compact dimensions to large compositions, as well as original and alternative solutions that stand outside traditional canons.

Technical information

Internal frame

tubular steel and steel profiles

Internal frame upholstery

Bayfit® flexible cold shaped polyurethane foam, polyester fibre cover

Back cushion (B40C-B55C)

down feather and polyurethane insert, box style typology, zig zag stitching

Support (BS-BSB)

visco-elastic polyurethane, polyester and cotton fibre cover

Feet

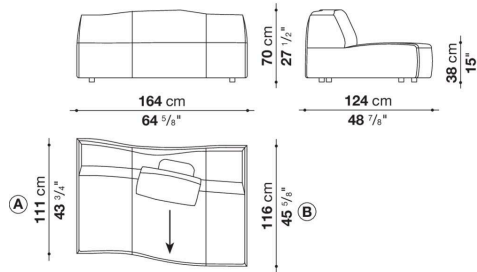
thermoplastic material

Cover

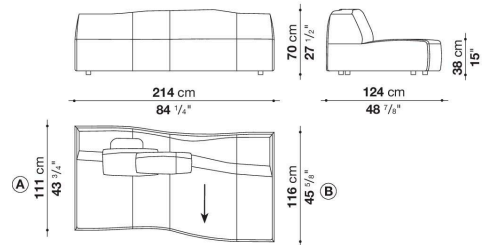
fabric or leather (zig zag stitching)

Technical drawings

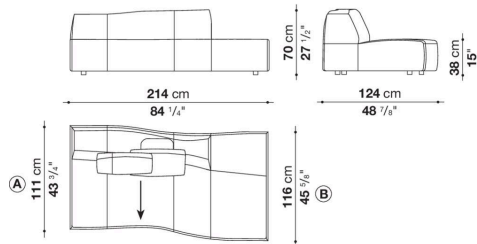
B164C



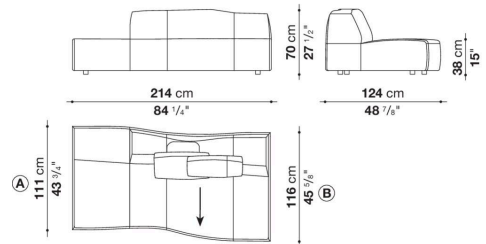
B214C



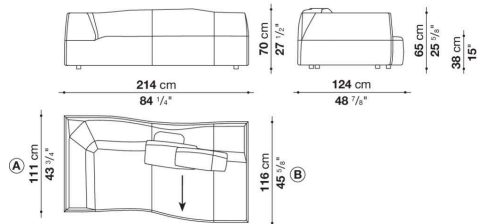
B214CS



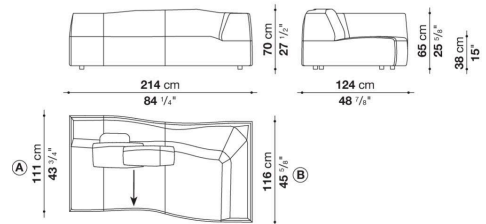
B214CD



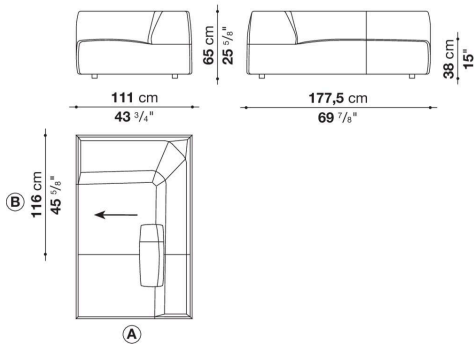
B214TS



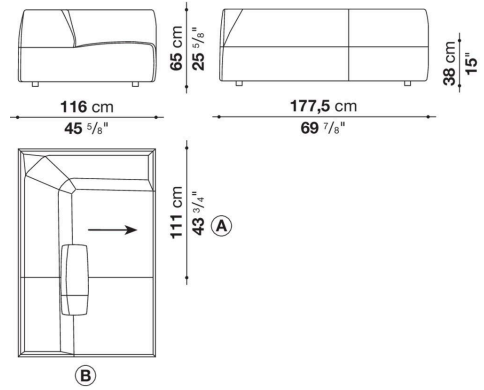
B214TD



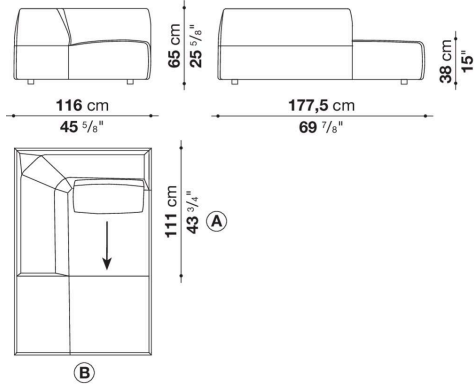
B111A



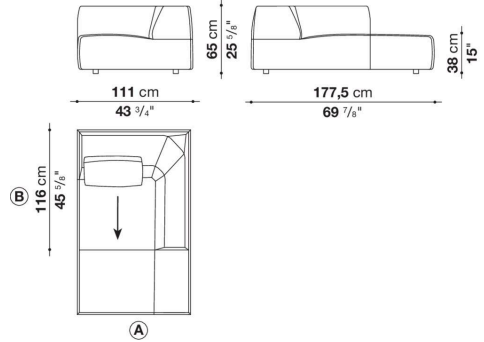
B116A



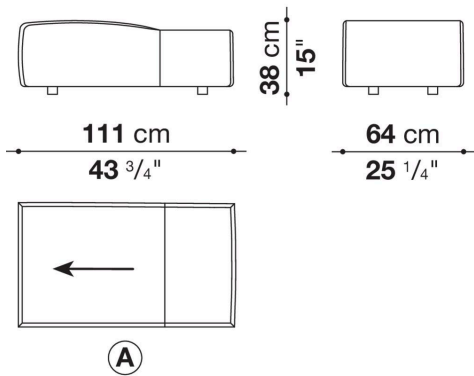
B177LS



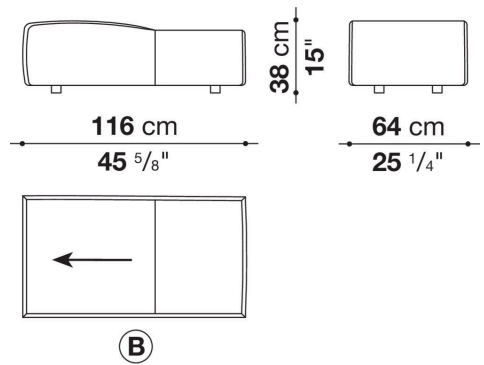
B177LD



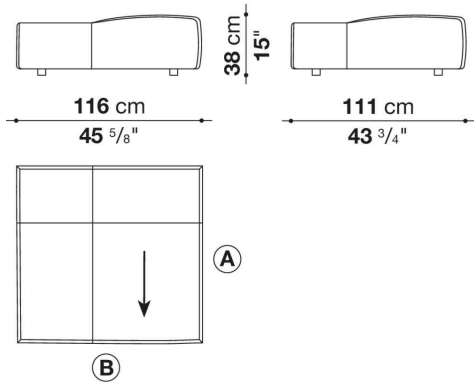
B111P



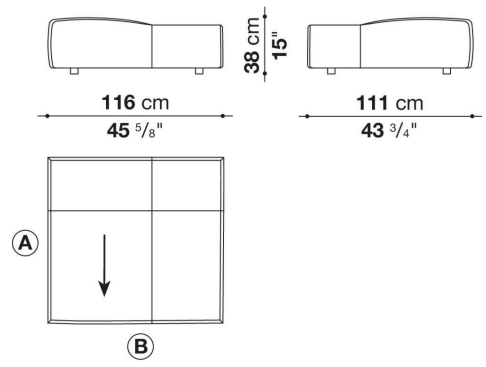
B116P



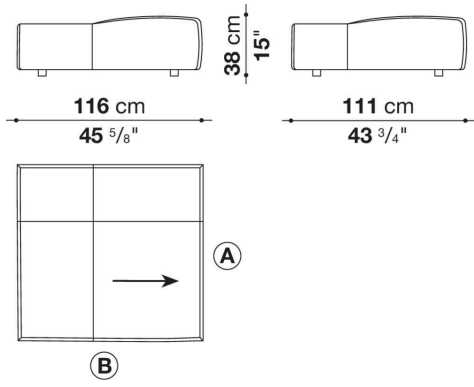
B1P



B2P



B3P



B4P

