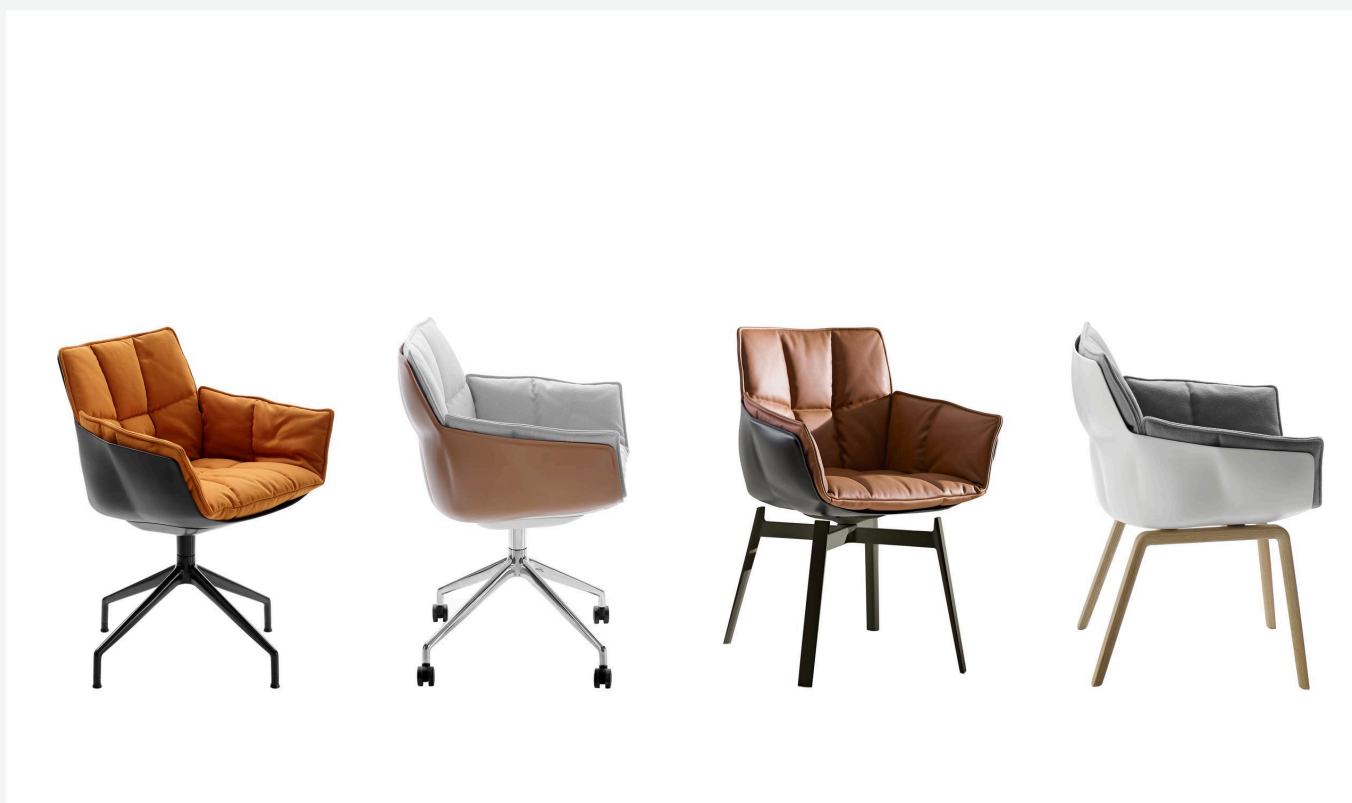

Husk

SEDIE

2012

Patricia Urquiola



Description

Comfortable, with a modern combination of base and seat, it picks up the profile of the namesake armchair. The body, which is shaped with a design that cites the capitonné style, conveys a feeling of softness. In the Husk chair cushions, in fabric or leather, fixed with press studs, are distinguished by the quilting.

Technical information

Shell

high density polyurethane resin

Shell cover (P1FCN-P1GCN-P2FC-P3FC-P4GC)

thick leather

Upholstery

polyester fibre, needle polyester fibre section

Support frame

die-cast aluminium

Support frame (P2F-P2FC)

solid wood

Wheels (P3F-P3FC)

plastic material for soft or hard surfaces

Ferrules

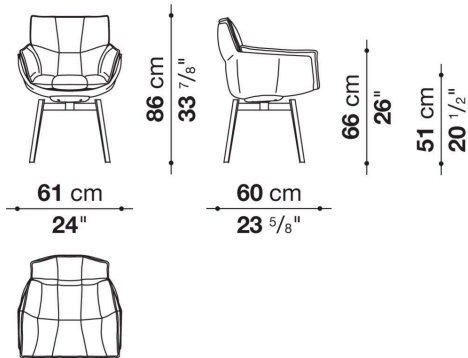
plastic material

Cover

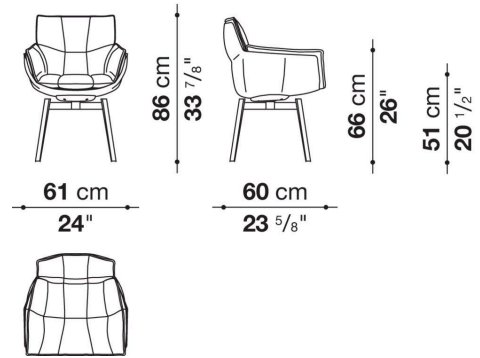
fabric or leather

Technical drawings

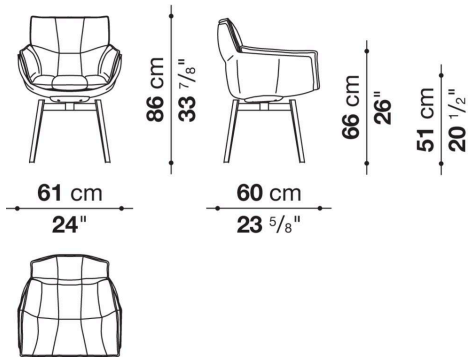
P1FN



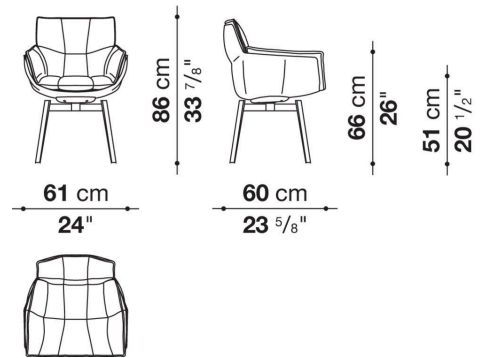
P1FCN



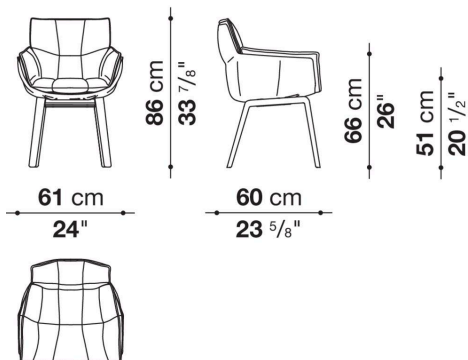
P1GN



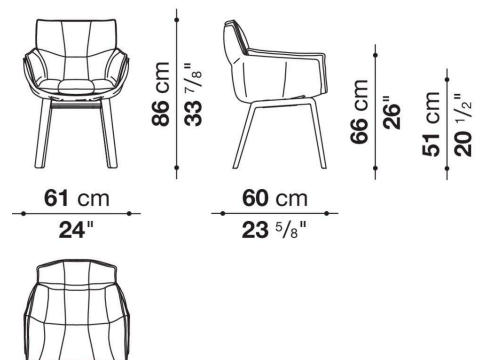
P1GCN



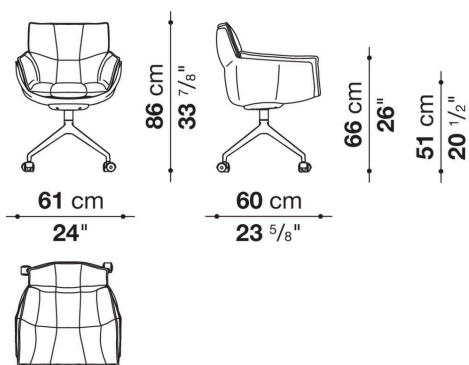
P2F



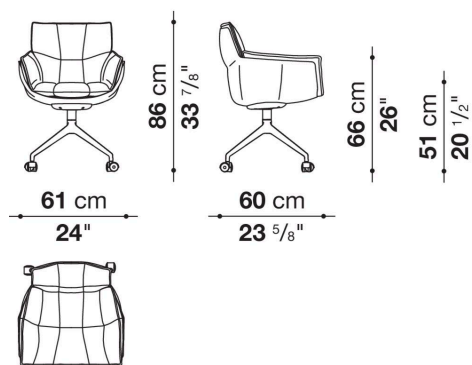
P2FC



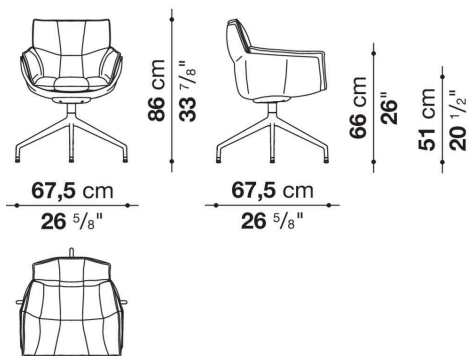
P3F



P3FC



P4GC



P4G

