

Husk

POLTRONE

2011

Patricia Urquiola



Description

Comfort and eco-sustainability are the key words for describing the Husk chairs. A collection that is a tribute to softness and an invitation to relax thanks to the generous extra soft cushions with a capitonné design. The hard shell, available in different colours, is made of Hirek®, a special plastic material made up of recycled and recyclable polymers. The cushions come in three versions, with larger sizes on the seat or on the back, or with headrest. The series is completed by the coordinated footrest that makes Husk armchair perfect for every need.

Technical information

Shell

plastic material Hirek®

Shell upholstery

polyester fibre, cotton cover

Seat support

shaped polyurethane, non-slip fabric

Swivel base-frame (H1G-H2G-H3G-H4G)

die-cast aluminium, steel profiles, hard polyurethane or solid wood

Base-frame (HP4)

steel profiles, hard polyurethane or solid wood

Base-frame (H1M-H2M-H3M-H4M-HP4M)

aluminium die-cast and profiles

Ferrules

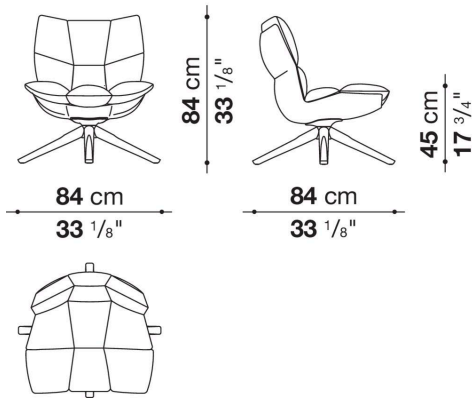
plastic material

Cover

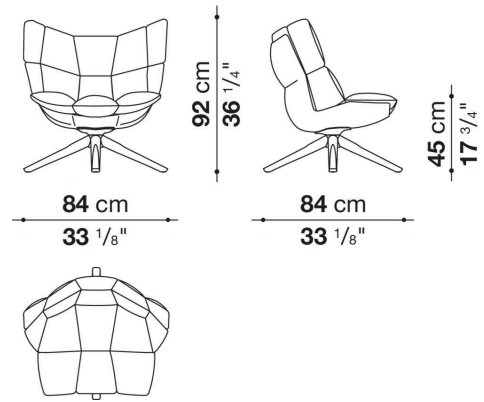
fabric or leather

Technical drawings

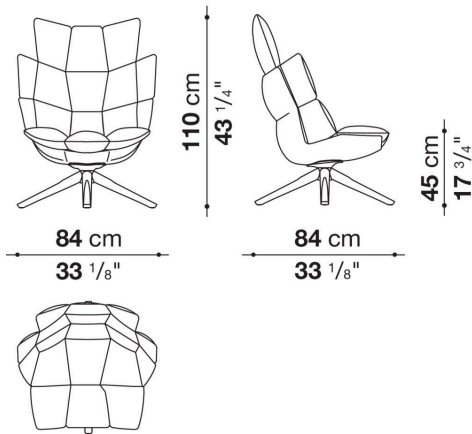
H1G



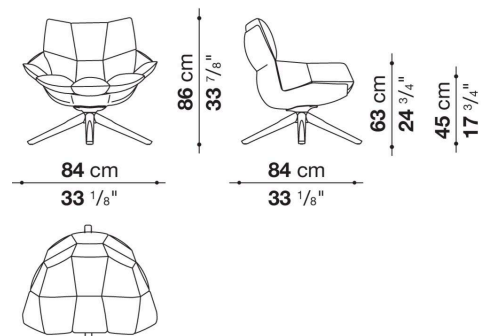
H2G



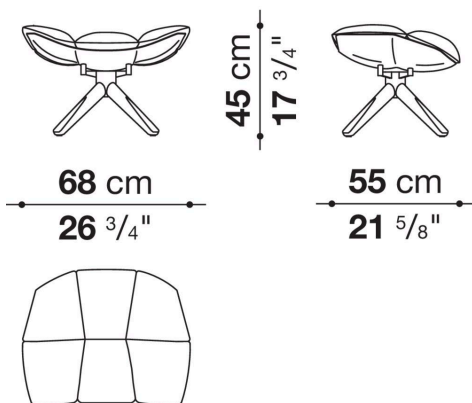
H3G



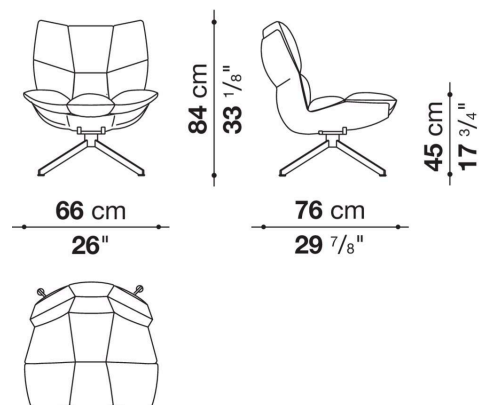
H4G



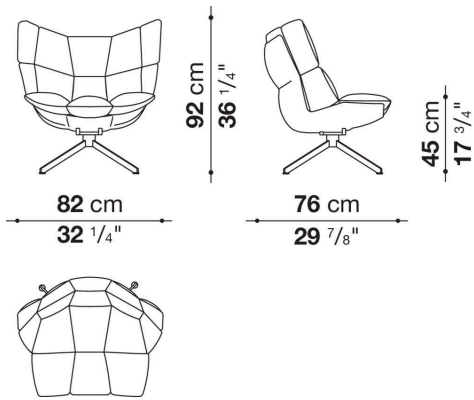
HP4



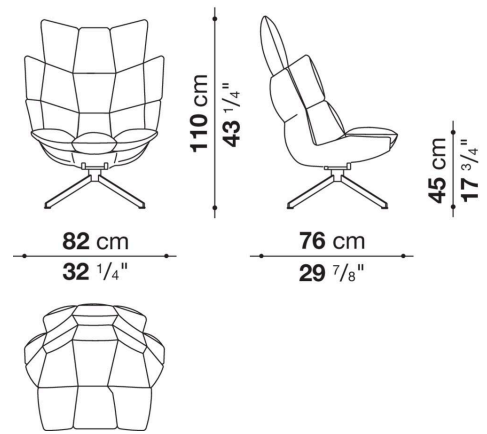
H1M



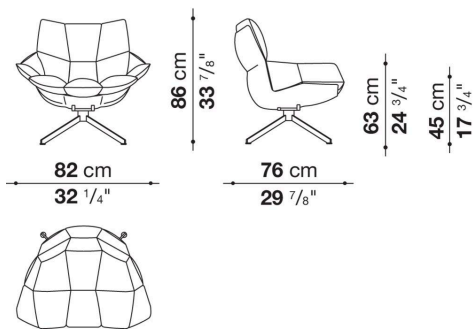
H2M



H3M



H4M



HP4M

