

Lazy '05

SEDIE

2005

Patricia Urquiola



Description

The name recalls relaxation, laziness and rest. The principle the pieces of this range have in common is the chromed steel frame with easy to remove covers with a zipper or Velcro fastening. With high backrest for a rigorous position, lower backrest or in the stool version, they all offer the possibility of combining different fabric tones above and under the seat, with a two-colour effect.

Technical information

Seat

thermoplastic material shell, shaped polyurethane, polyester fibre cover

Back

elastic mesh, polyester fibre cover

Support frame

drawn steel

Ferrules

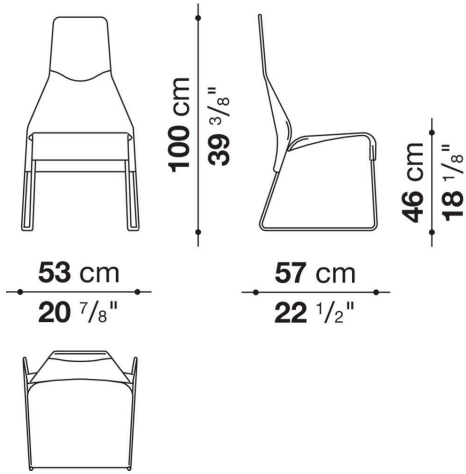
thermoplastic material

Cover

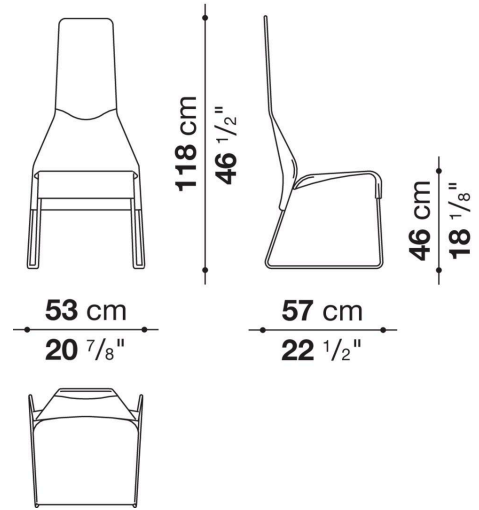
fabric or leather

Technical drawings

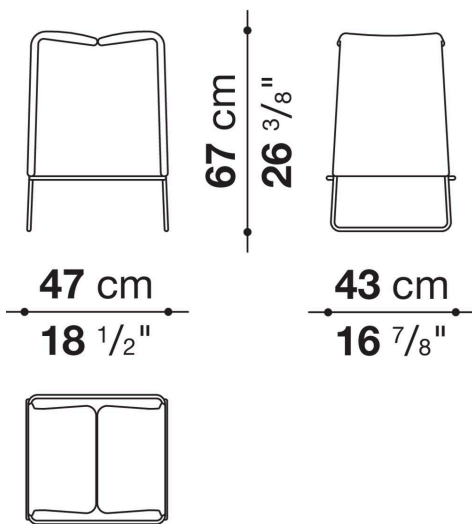
SLA100



SLA118



SGLA67



SGLA77

