

Fat-Fat

TAVOLINI

2004

Patricia Urquiola



Description

The theme of the tray is picked up to create three tables, whose lightness results from the steel frame. A fourth model, which is higher than the others, offers an extremely convenient surface when placed by the sofa.

Fat-fat side table can even be stacked.

Technical information

Support frame

steel sheet and steel profiles

Tray

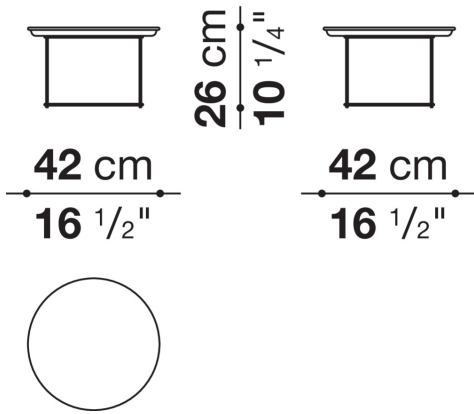
steel sheet

Ferrules

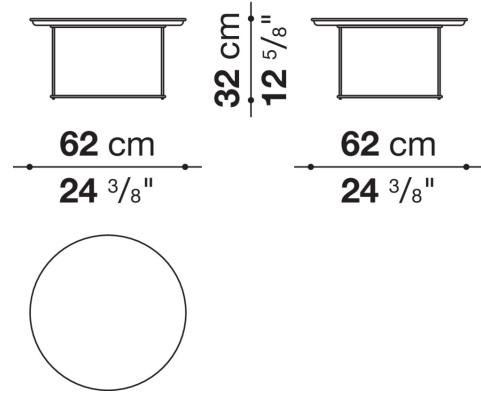
thermoplastic material

Technical drawings

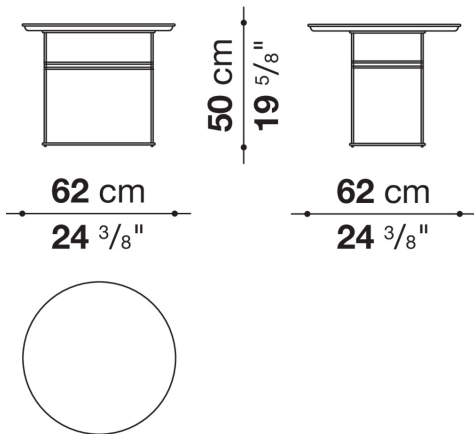
TFF42



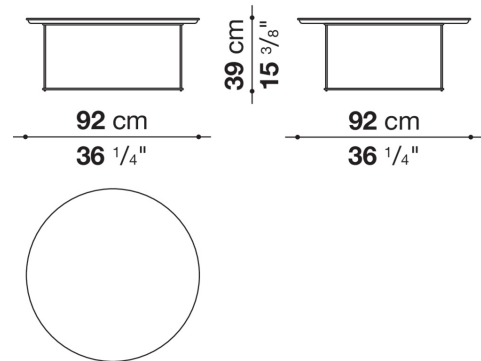
TFF62



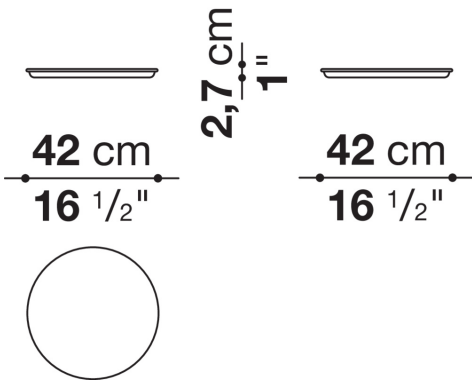
TFF62A



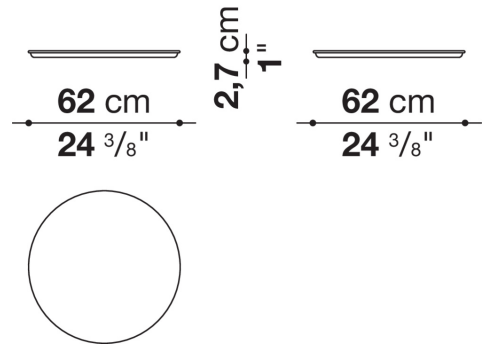
TFF92



VFF42



VFF62



VFF92

