

# Gold Collection

OGGETTISTICA

2007

Marcel Wanders



## Description

---

Gold Collection, three oversize objects by Marcel Wanders: a tall vase, a stool and a bowl, all in ceramic covered in gold leaf. Icons of luxury not without a certain sense of humour.

## Technical information

---

**Material**

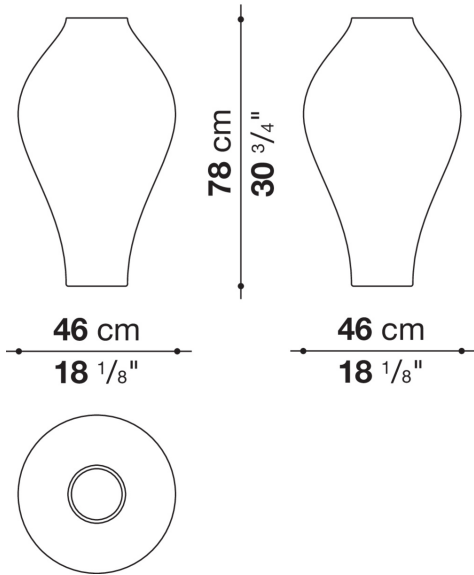
enamelled ceramic

**Colour**

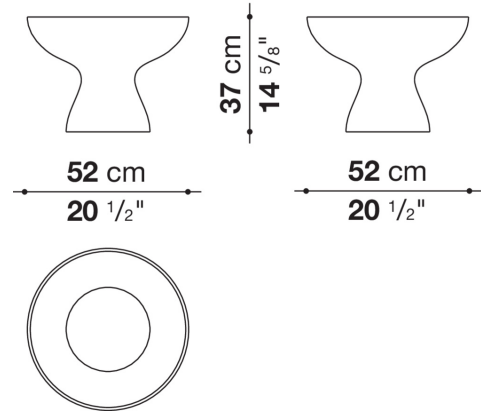
gold foil

# Technical drawings

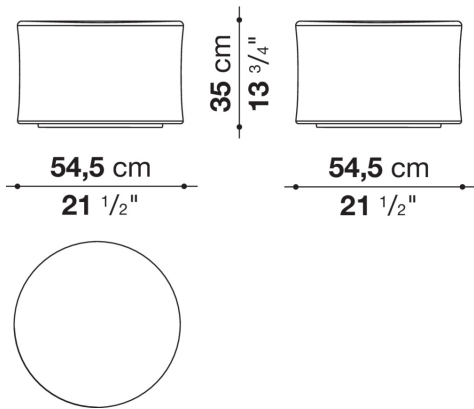
**AB20046N**



**AB20047N**



**AB20048N**



**AB20049N**

