

# Frank

POUF

2015

Antonio Citterio



## Description

---

Small additional seats or decorative elements, the Frank ottomans are available in two versions: with a high round cushions and steel structure in various finishes, or fully upholstered. For both types, the upholstery is available in fabric or leather.

## Technical information

---

**Frame (FP40)**

steel profiles

**Upholstery (FP40)**

multi-layered wood panel, shaped polyurethane, polyester fibre cover

**Internal frame (F58P)**

tubular steel and steel profiles

**Internal frame upholstery (F58P)**

Bayfit® flexible cold shaped polyurethane foam, polyester fibre cover

**Ferrules (FP40)**

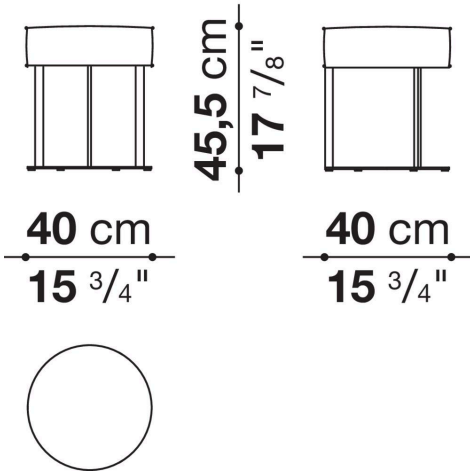
plastic material

**Cover**

fabric or leather

# Technical drawings

## FP40



## F58P

