

Fat-Sofa

POLTRONE

2007

Patricia Urquiola



Description

Organic, soft and sinuous in shape, the Fat-Sofa armchairs, available in three versions, including one with a high enveloping backrest, interpret the theme of comfort in a playful and informal way. These floor-standing seats, without a metal base and with fabric or leather upholstery, offer the possibility of choosing between sophisticated single-tone and two-tone solutions, also combining leather and fabric.

Technical information

Internal frame

tubular steel and steel profiles, plastic material

Internal frame upholstery

Bayfit® flexible cold shaped polyurethane foam, polystyrene foam, shaped polyurethane of different density, polyester fibre cover

Ottoman upholstery

Bayfit® flexible cold shaped polyurethane foam, polystyrene foam, shaped polyurethane, polyester fibre cover

Back cushion (FS55C)

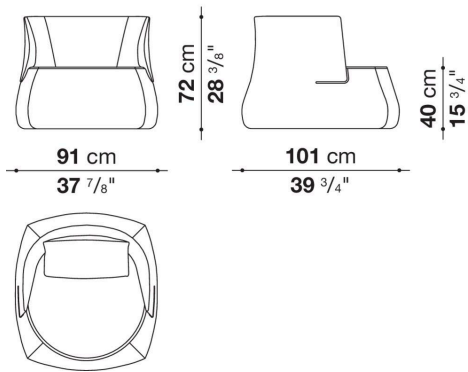
down feather and polyester fibre, pillow style typology

Cover

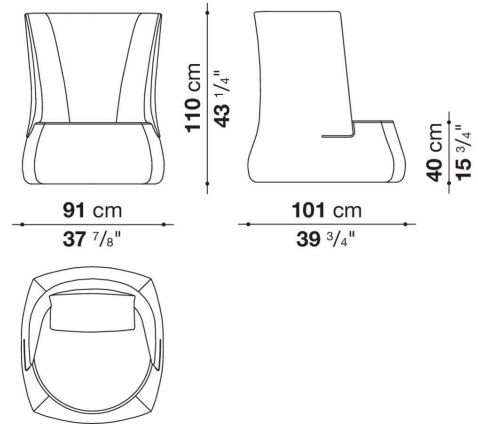
fabric or leather

Technical drawings

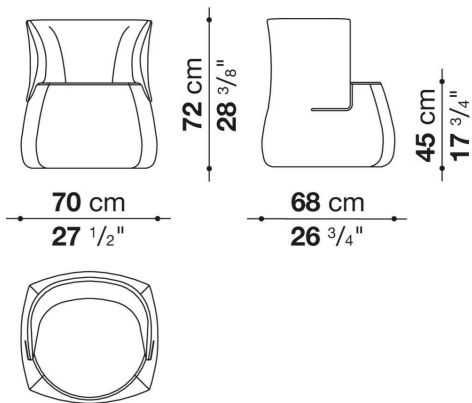
FS91B



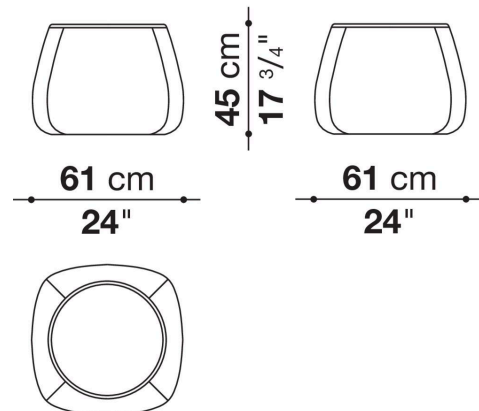
FS91A



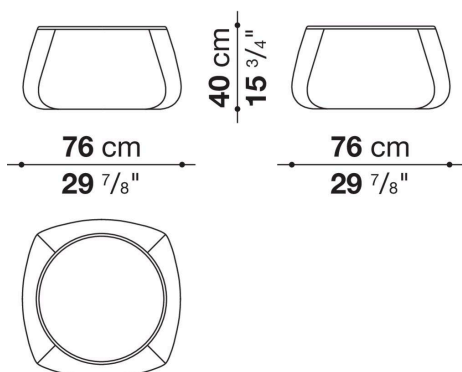
FS70



FS61P



FS76P



FS106P

