

# Diesis

TAVOLINI

1979

Antonio Citterio Paolo Nava



## Description

---

An evergreen like the sofa, which inspires its die-cast aluminium supports. Three marble impressive versions even in term of size; the other lighter with two tops, one in transparent ground glass and the other covered with leather.

## Technical information

---

**Top (DI150T)**

glass

**Top (TDS\_190M-TDS190\_13-TDS190\_13A)**

marble (natural finish, matt polyester finish or glossy polyester finish)

**Lower shelf (DI150T)**

multi-layered wood panel

**Lower shelf cover (DI150T)**

leather

**Support frame and feet**

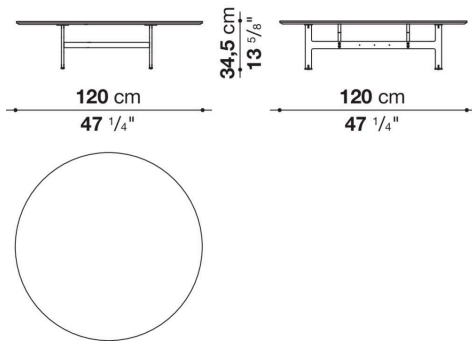
die-cast aluminium and tubular steel

**Ferrules**

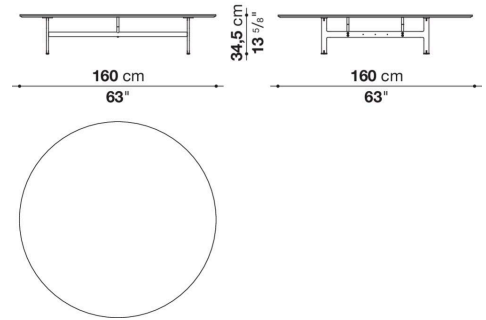
plastic material

# Technical drawings

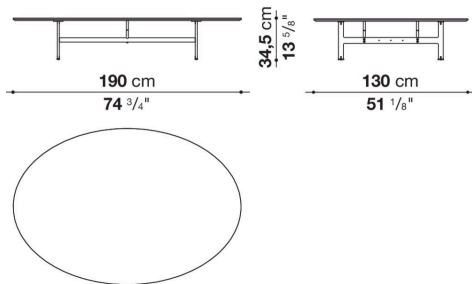
**TDS120R**



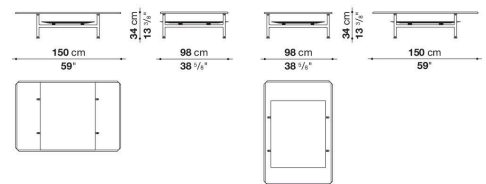
**TDS160R**



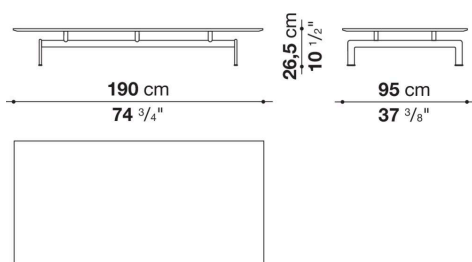
**TDS190\_13A**



**DI150T**



**TDS\_190M**



**TDS190\_13**

