

# Richard

LETTI

2017

Antonio Citterio



## Description

---

The Richard bed is available in different sizes, upholstered either in fabric or in leather. The design is defined by high sides running along the perimeter and by the sartorial detail of the seams with the insertion of a prominent profile. The height of the lateral bed sides makes it possible to use any type of mattress support, from traditional fixed ones to those with a manual headboard and footboard mechanism.

## Technical information

---

**Internal frame**

tubular steel and steel profiles

**Internal frame upholstery**

flexible cold shaped polyurethane foam, polyester fibre

**Feet**

tubular steel and steel profiles

**Ferrules**

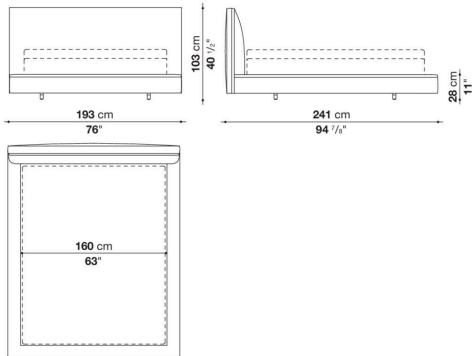
thermoplastic material

**Cover**

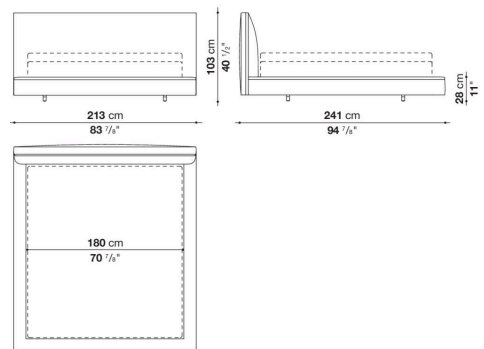
fabric or leather (plastic material profiles)

# Technical drawings

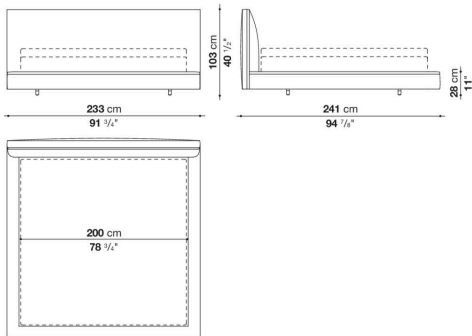
**LRA160**



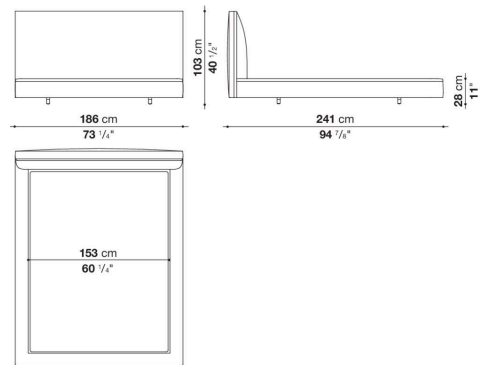
**LRA180**



**LRA200**



**LRA153**



**LRA193**

