

Jens

SEDIE

2017

Antonio Citterio



Description

Jens is a collection of chairs – with or without armrests – and stools featuring a typical 1950s style yet also interpreting classical Chinese chairs in a contemporary key. Rediscovering the craftsmanship of turned and curved wood, the result is a five-axis frame in a variety of wood finishes. Jens collection includes numerous versions: entirely in wood, with wooden frame and leather seat, with wooden frame and thick leather seat and back, with wooden frame and seat in woven cellulose rope.

Technical information

Seat

shaped polyurethane and veneered multi-layered wood panel

Seat (SJ61PA-SJ41PA)

cellulose rope interlacing

Frame

solid wood

Ferrules and reinforcements

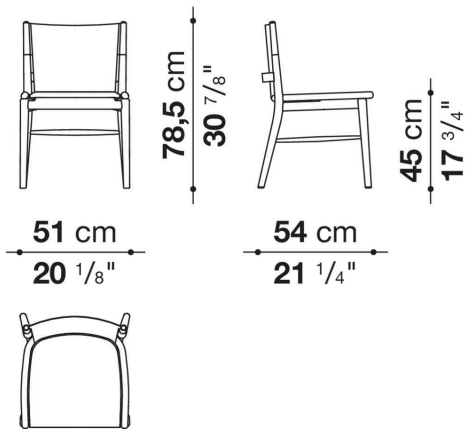
plastic material

Cover

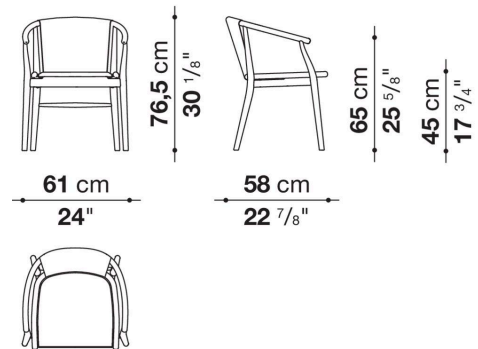
thick leather

Technical drawings

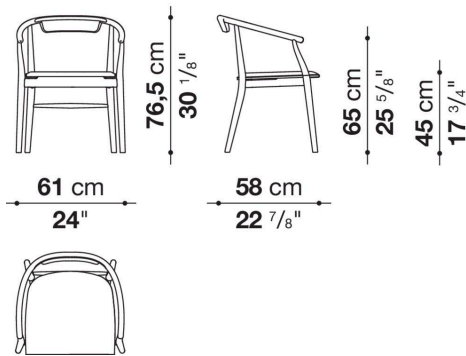
SJ51B



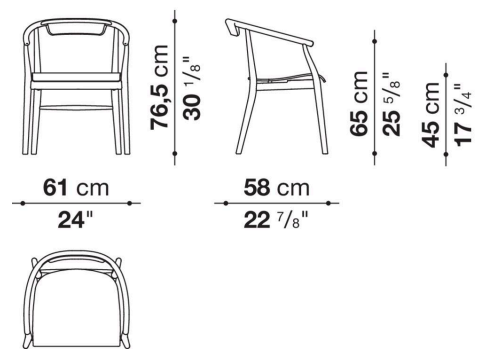
SJ61B



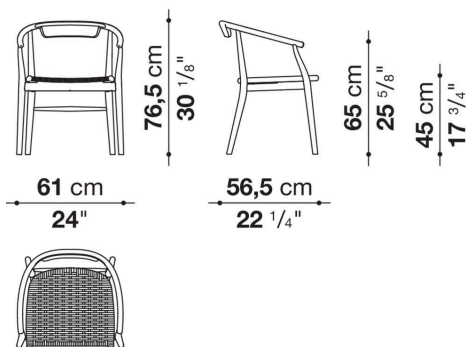
SJ61



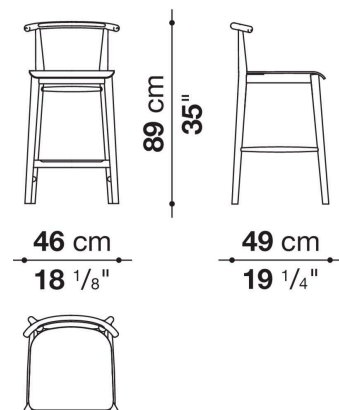
SJ61L



SJ61PA

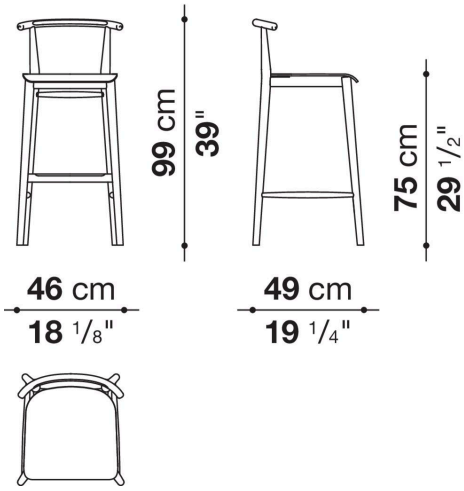


SJ41L_B

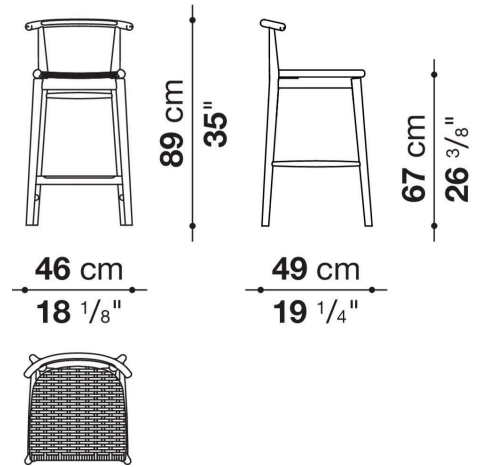




SJ41L_A



SJ41PA_B



SJ41PA_A

