

Mera

TAVOLINI

2012

Antonio Citterio



Description

Series of small tables with a transversal character that allows you to easily combine them with both the most traditional sofas and modern sofas. Available in various sizes and heights, they have a marble top and a steel structure, both to be chosen from various finishes.

Technical information

Top
marble (natural finish or glossy polyester finish)

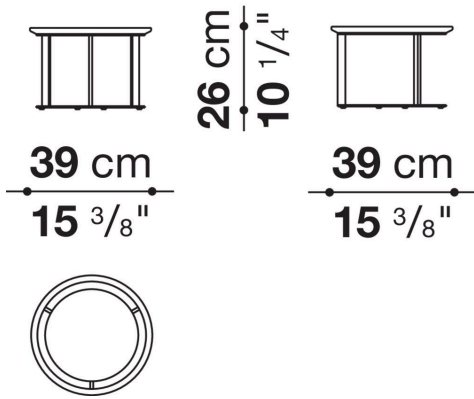
Top (MTL)
solid wood

Frame
steel profiles

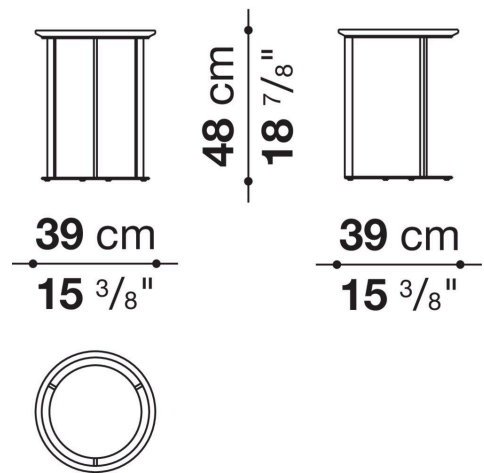
Ferrules
plastic material

Technical drawings

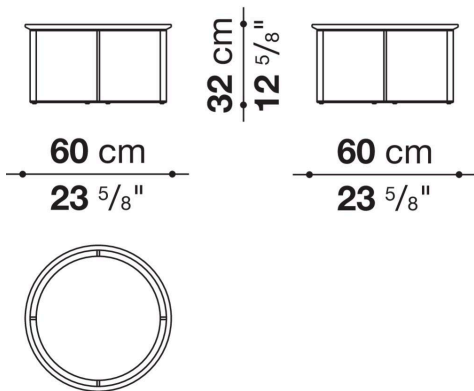
MTR39B



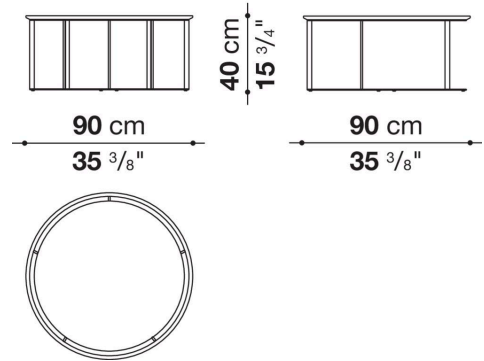
MTR39A



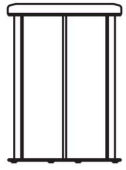
MTR60



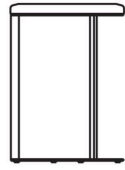
MTR90



MTL



49 cm
19 1/4"



35 cm
13 3/4"

35 cm
13 3/4"

