

Mart

POLTRONE

2003

Antonio Citterio



Description

A comfortable hollow shape, in two sizes, that stands on a series of bases that create the overall character. The combination of these elements produces a family of armchairs with strong personality. At the origin of all of them, a long experimentation centred on the production technology of thermoformed leather, starting from a plastic shell that is inserted into a mould for the cold foaming of polyurethane, with the result of obtaining elasticity and comfort.

Technical information

Internal frame

glass fibre shell

Internal frame upholstery (thick leather and leather version)

Bayfit® flexible cold shaped polyurethane foam

Internal frame upholstery (upholstered version)

Bayfit® flexible cold shaped polyurethane foam, shaped polyurethane, polyester fibre cover

Cross-shaped swivel base-frame

steel laminate and aluminium extrusions

Support frame (MPRN_1-MPRI_1)

tubular steel and steel profiles

Swivel base-frame (MPGL-MPGIL)

steel profiles, solid wood

Headrest (MPRP)

polyester fibre, cotton cover, counterweight in anodized aluminium and steel

Ferrules

thermoplastic material

Cover (thick leather and leather version)

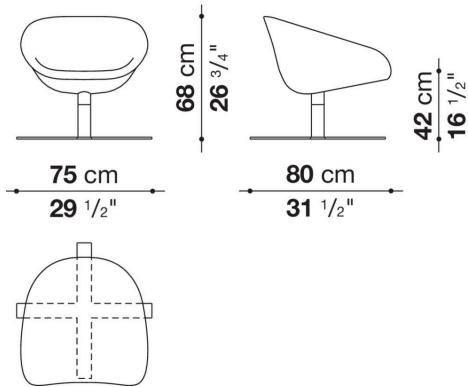
thick leather or leather in limited categories

Cover (upholstered version)

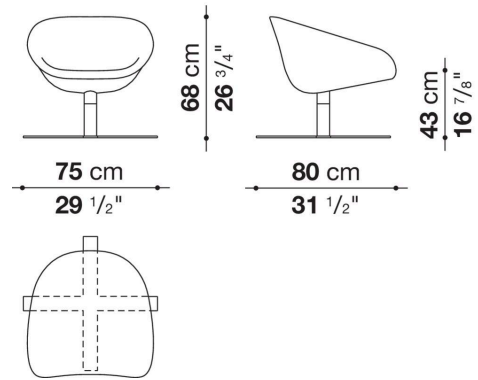
fabric in limited categories

Technical drawings

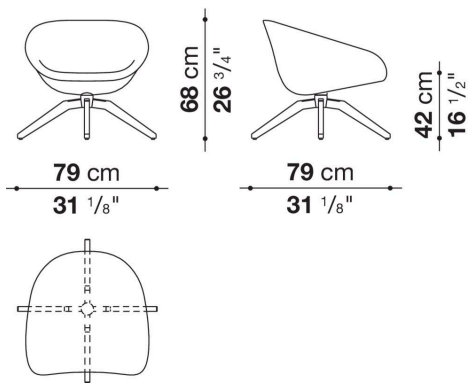
MPG



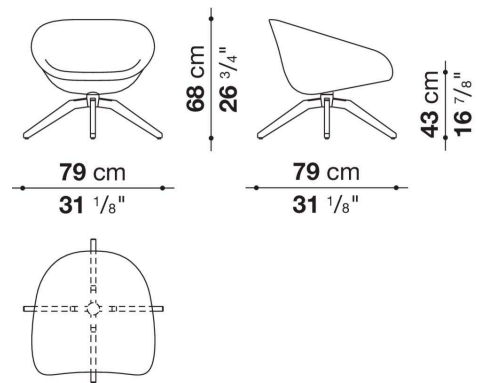
MPGI5



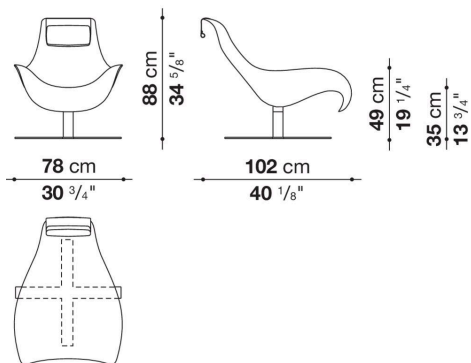
MPGL



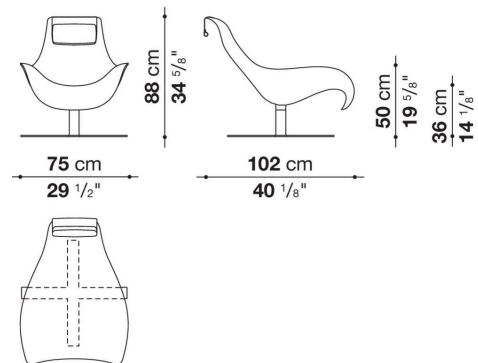
MPGIL



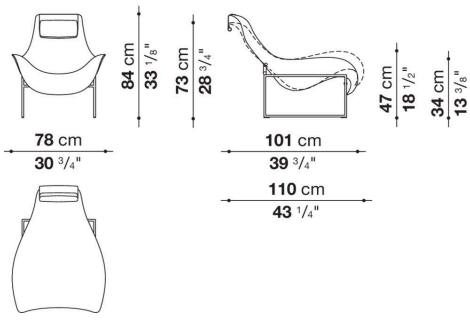
MPRN



MPRI



MPRN_1



MPRI_1

