

# Erica '25

TAVOLI

2025

Antonio Citterio



## Description

---

The Erica '25 dining tables are offered in a rectangular version in two sizes and a round version in a single size. They combine powder-coated die-cast aluminium structures in five colours – anthracite, dove grey, olive bronze, aquamarine green, cream white – with slatted tops in natural teak or molten glass – a process that creates organic textures and irregularities on the surface for a distinct tactile effect – back-painted in colours jade green, emerald green and coral red.

## Technical information

---

**Frame**

die-cast aluminium and extrusions with polyester powder painting

**Top**

solid wood or back-painted molten glass

**Ferrules**

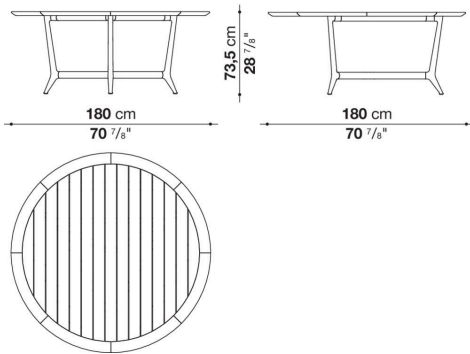
thermoplastic material

**Waterproof cover cloth**

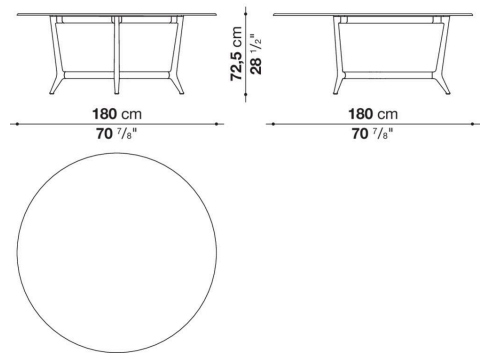
PES fabric coated on one side in PU

# Technical drawings

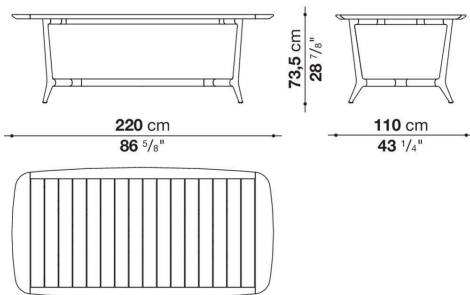
**ER180TR**



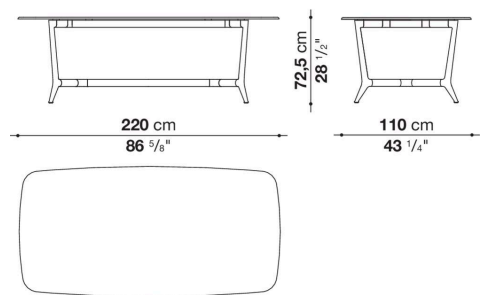
**ER180TR\_V**



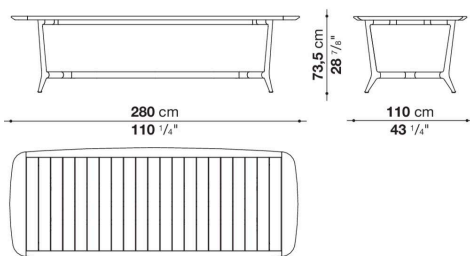
**ER220T**



**ER220T\_V**



**ER280T**



**ER280T\_V**

