

Erica '25

POLTRONE

2025

Antonio Citterio



Description

The Erica '25 armchairs incorporate the characteristic elements of the entire series: the powder coated die-cast aluminium frame which offer lightness and durability, the interlacing made of polypropylene ribbons designed for outdoor use, and the foot design which provides a sense of visual and formal continuity. They are offered in different sizes and depths, including a version with a high backrest and integrated headrest ideal for relaxation. The seat cushions upholstery, embellished with a decorative profile, grants an appearance of natural softness, making them particularly inviting. The refined shades of the frame and interlacing are complemented by a vast range of cushion covers, in an array of tones and designs, all coordinating with each other. The lightness and refined design make Erica '25 ideal for both public and residential settings, delivering ergonomic comfort together with strength for outdoor use.

Technical information

Frame

die-cast aluminium and extrusions with polyester powder painting

Back upholstery

polyester fiber recycled from PET, cover in water repellent polyester fibre

Seat upholstery

shaped polyurethane, polyester fiber recycled from PET, cover in water repellent polyester fibre

Seat webbing

polypropylene fibre and synthetic rubber threads

Interlacing

polypropylene fibre braid

Ferrules

thermoplastic material

Waterproof cover cloth

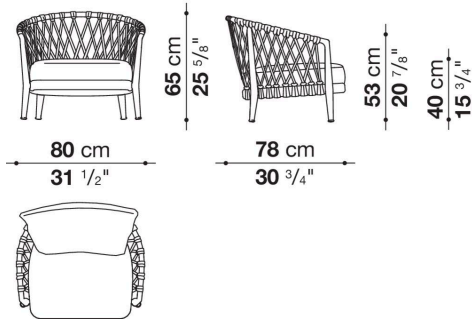
PES fabric coated on one side in PU

Cover

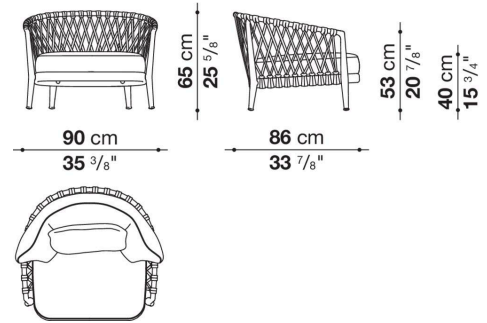
fabric in limited categories (with profile)

Technical drawings

ER80P



ER90PB



ER90PA

