

# Heri O'

SEDIE

2023

Monica Armani



## Description

---

Seemingly elementary, Heri O' by Monica Armani combines elegance, essentiality and charm, and nods to the '60s. An object whose shapes and key colour hark back to the pop side of that era. The name Heri O' comes from the combination of the word heritage with O'. Heritage for the clear references to the archetypes of round wooden chairs, O', like the Flair O' and Allure O' collections, is an homage to the timeless style icon Jackie O'. With a clean design, the chair, available in two heights, light in its forms, is made of a curved and joined wooden frame, a balance between tradition and novelty. The upholstered cushions are made of a foamed wooden base covered in fabric. Heri O' has a thousand faces with its countless finishes, from light and black brushed ash to glossy lacquer in different colours, combined with B&B Italia's extensive textile collection for the seat and back cushions.

# Technical information

---

**Frame**

solid wood

**Seat frame**

solid wood with elastic straps

**Seat upholstery**

flexible cold shaped polyurethane foam, polyester fibre

**Back upholstery**

polyester fibre

**Ferrules and spacers**

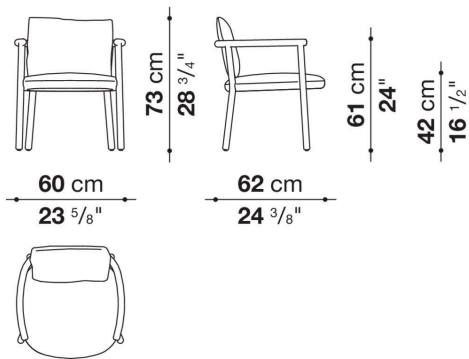
plastic material

**Cover**

fabric

# Technical drawings

**HR60\_B**



**HR60\_A**

